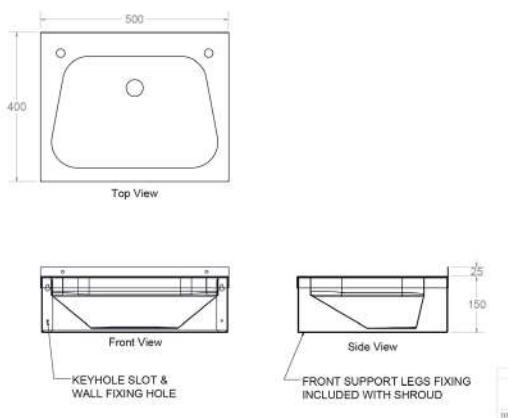


STAINLESS STEEL WASH BASINS

	Page
Wall Mounted Wash Basin.....	62
Heavy Duty Wall Mounted Wash Basin.....	62
Mini Wall Mounted Wash Basin.....	63
Corner Wall Mounted Wash Basin.....	63
Compact Wall Mounted Wash Basin.....	64
Security Wall Mounted Wash Basin.....	64
Recessed Hand Rinse Unit.....	65
Knee Operated Wall Mounted Wash Basin.....	65
Inset Wash Basin.....	66
Inset Bright Polished Wash Basin.....	66
Inset Large Hemispherical Wash Bowl.....	67
Inset Small Hemispherical Wash Bowl.....	67
Inset Round Wash Basin.....	68
Inset Oval Wash Basin.....	68
Inset Small Wash Bowl.....	69
Inset Large Wash Bowl.....	69
Inset Small Rectangular Dental Sink.....	70
Inset Large Rectangular Dental Sink.....	70
Inset Small Round Dental Sink.....	71
Inset Large Round Dental Sink.....	71

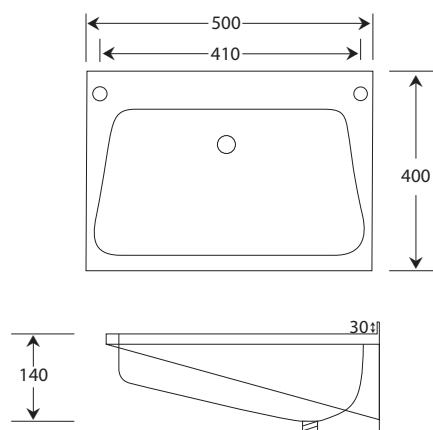
WE276 WALL MOUNTED WASH BASIN



- Grade 304 stainless steel, 1.6mm and 1.2mm thick
- Two 22mm tap holes
- 32mm waste fitting (no overflow, plug or chain)
- Overall dimensions 500 x 400 x 150mm
- 25mm upstand
- Satin finish stainless steel apron support
- Not available with front support legs
- Optional taps from our extensive range
- Optional plastic or chrome plated brass bottle traps
- Optional overflow
- In stock 1 to 2 working days

**Taps shown for illustration purposes only*

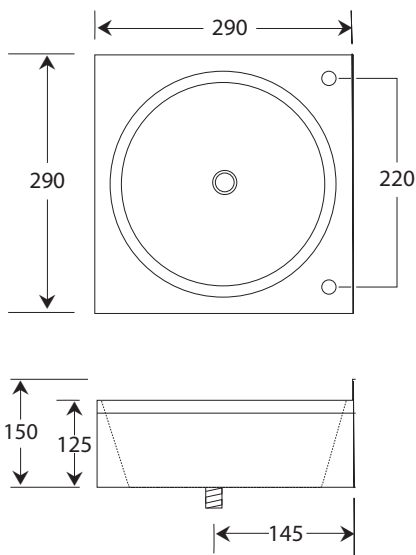
WE241 HEAVY DUTY WALL MOUNTED WASH BASIN



- Grade 304 stainless steel, 1.6mm thick
- Two 22mm tap holes
- 32mm waste fitting with overflow, plug and chain
- Overall dimensions 500 x 400 x 140mm
- Two stainless steel wall brackets
- Can be drilled and bolted together to form multiple basin units (3 to 5 working days)
- Optional front support legs
- Optional taps from our extensive range
- Optional plastic or chrome bottle traps
- In stock 1 to 2 working days

**Taps shown for illustration purposes only*

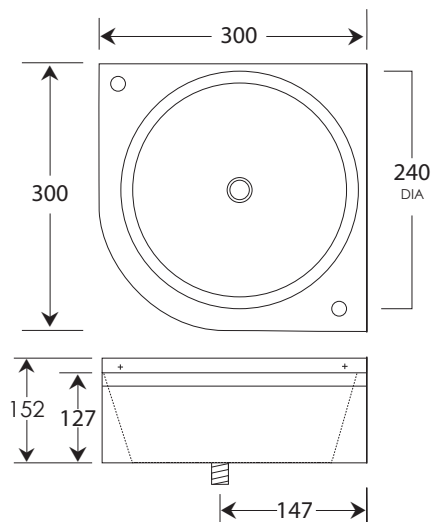
WE243 MINI WALL MOUNTED WASH BASIN



- Grade 304 stainless steel, 1mm thick
- Two 22mm tap holes
- 32mm waste fitting with plug, chain and chain stay (no overflow)
- Overall dimensions 290 x 290 x 125mm
- 25mm upstand
- Apron support
- Ideal for installing where only limited space is available
- Optional taps from our extensive range
- Optional plastic or chrome plated brass bottle traps
- In stock 1 to 2 working days

*Taps shown for illustration purposes only

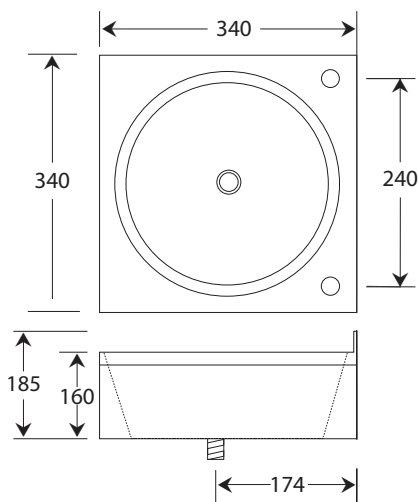
WE244 CORNER WALL MOUNTED WASH BASIN



- Grade 304 stainless steel, 1mm thick
- Two 22mm tap holes
- 32mm waste fitting with overflow, plug and chain
- Overall dimensions 300 x 300 x 127mm
- 25mm upstand
- Apron support
- Ideal for areas with limited space
- Optional taps from our extensive range
- Optional plastic or chrome plated brass bottle traps
- In stock 1 to 2 working days

*Taps shown for illustration purposes only

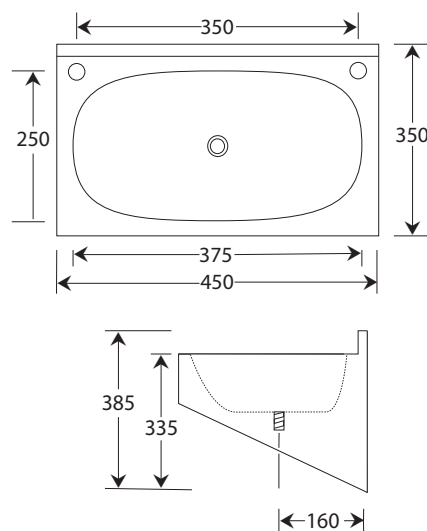
WE245 COMPACT WALL MOUNTED WASH BASIN



- Grade 304 stainless steel, 1mm thick
- Two 22mm tap holes
- 32mm waste fitting with overflow, plug and chain
- Overall dimensions 340 x 340 x 160mm
- 25mm upstand
- Apron support
- Ideal for areas with limited space
- Optional taps from our extensive range
- Optional plastic or chrome plated brass bottle traps
- In stock 1 to 2 working days

**Taps shown for illustration purposes only*

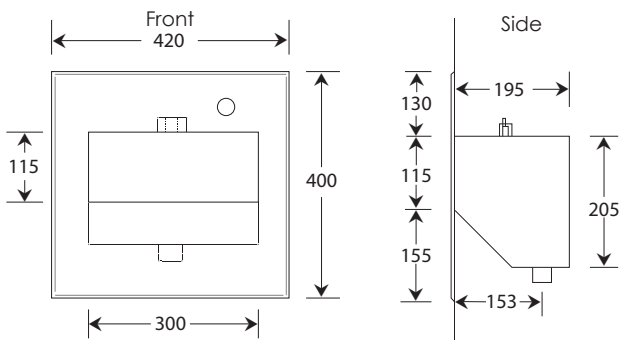
WE246 SECURITY WALL MOUNTED WASH BASIN



- Grade 304 stainless steel, 1.6mm thick
- Two 22mm tap holes
- 32mm flush grated waste fitting (no overflow or plug)
- Enclosed sides and base for security
- No exposed fixings or pipework
- Water supply and waste exit through rear duct wall
- 50mm upstand
- 150mm fixing bolts for walls up to 118mm thick
- Optional taps from our extensive range
- In stock 1 to 2 working days

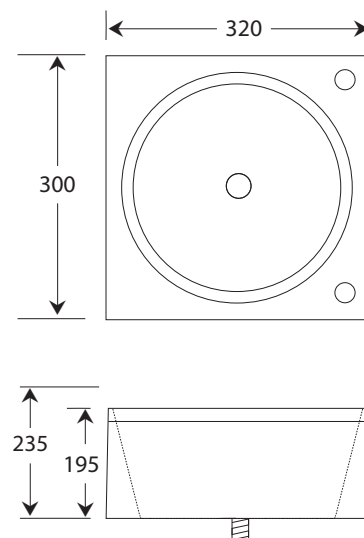
**Taps shown for illustration purposes only*

WE247 RECESSED HAND RINSE UNIT



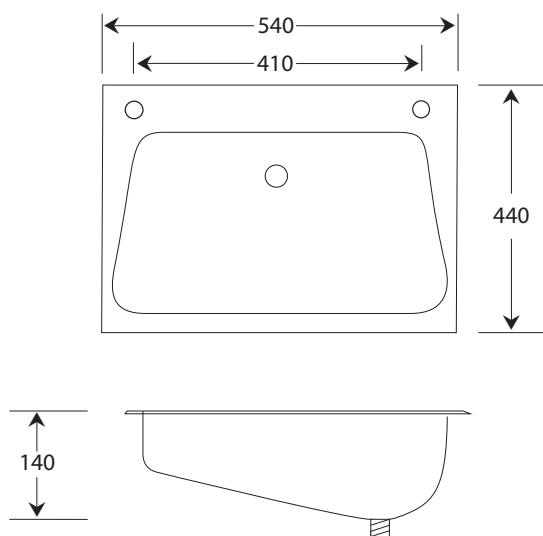
- Grade 304 stainless steel, 2mm front fascia panel, 1.6mm thick basin
- 32mm flush grated waste fitting (no overflow or plug)
- Ligature resistant design
- No exposed fixings or pipework
- Water supply and waste exit through rear duct wall
- Flush fitting press button time flow valve
- Rounded edges
- 150mm fixing bolts for walls up to 118mm thick
- Optional infrared control
- Manufactured to order 10 to 15 working days

WE249 KNEE OPERATED WALL MOUNTED BASIN



- Grade 304 stainless steel, 0.9mm thick
- Tap hole blank on unused tap hole, supplied as standard
- 32mm flush grated waste fitting (no overflow or plug)
- Overall dimensions 300 x 320 x 235mm
- Push front hands free operation
- Swan neck fixed spout
- Manual mixing valve
- Flexible water hose between valve and spout
- Integral wall fixing holes
- In stock 1 to 2 working days

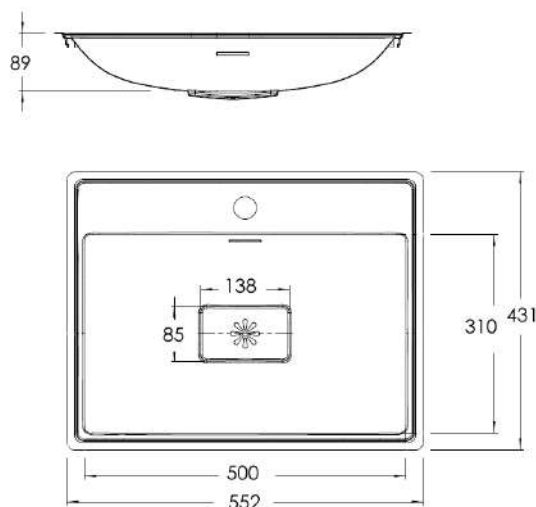
WE251 INSET WASH BASIN



- Grade 304 stainless steel, 1.5mm thick
- Two 22mm tap holes
- 32mm waste fitting with overflow, plug and chain
- Overall dimensions 540 x 440 x 140mm
- To be inset into countertops up to 50mm thick
- Stainless steel fixing clips
- Optional tap hole blank if one tap hole is required
- Optional taps from our extensive range
- Optional plastic or chrome plated brass bottle traps
- In stock 1 to 2 working days

**Taps shown for illustration purposes only*

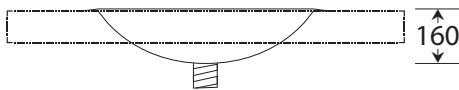
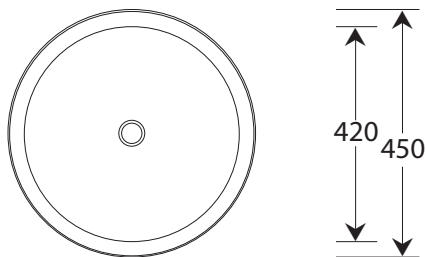
IC3-22 INSET BRIGHT POLISHED WASH BASIN



- Grade 304 stainless steel, 0.9mm thick
- Bright polished finish
- Single 35mm diameter tap hole
- 38mm waste fitting with overflow and waste cover
- Overall dimensions 552 x 431 x 89mm
- To be inset into countertops
- Stainless steel fixing clips
- Optional taps from our extensive range
- Optional plastic or chrome plated brass bottle traps
- In stock 1 to 2 working days

**Taps shown for illustration purposes only*

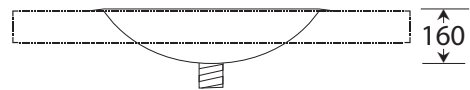
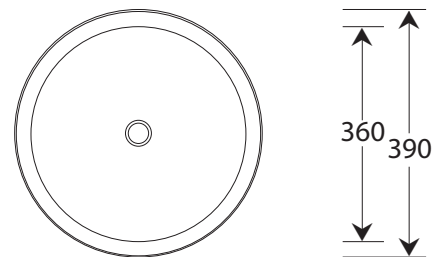
WE252 INSET LARGE HEMISPHERICAL WASH BOWL



- Grade 304 stainless steel, 0.9mm thick
- Bright polished finish
- 38mm flush grated waste fitting (no overflow, plug or chain)
- 450mm overall diameter, 420mm internal diameter
- 15mm flange
- Other sizes available to order
- Optional taps from our extensive range
- Optional plastic or chrome plated brass bottle traps
- Optional overflow with appropriate waste fitting
- In stock 1 to 2 working days

**Taps shown for illustration purposes only*

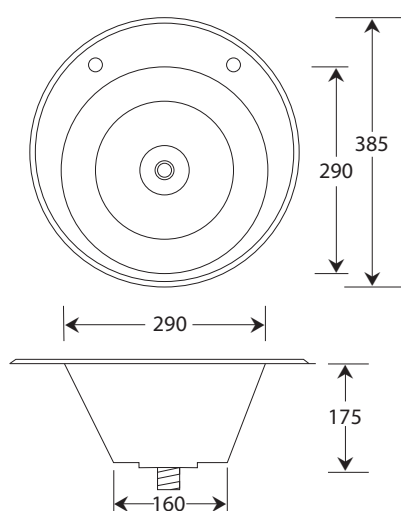
WE253 INSET SMALL HEMISPHERICAL WASH BOWL



- Grade 304 stainless steel, 0.9mm thick
- Bright polished finish
- 38mm flush grated waste fitting (no overflow, plug or chain)
- 390mm overall diameter, 360mm internal diameter
- 15mm flange
- Other sizes available to order
- Optional taps from our extensive range
- Optional plastic or chrome plated brass bottle traps
- Optional overflow with appropriate waste fitting
- In stock 1 to 2 working days

**Taps shown for illustration purposes only*

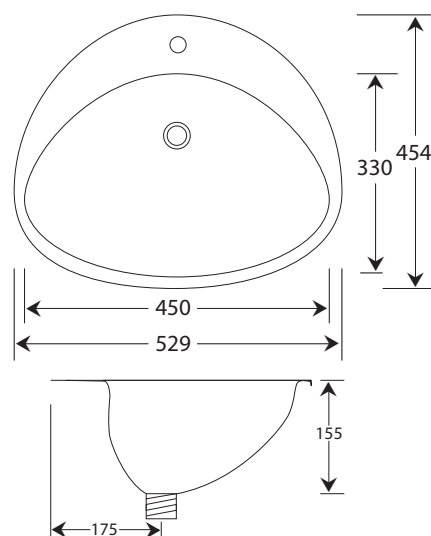
WE255 INSET ROUND WASH BASIN



- Grade 304 stainless steel, 1mm thick
- Two 22mm tap holes
- 32mm waste fitting with overflow, plug and chain
- 385mm overall diameter, 290mm internal diameter
- To be inset into countertops up to 50mm thick
- Stainless steel stud and nut fixing
- Optional tap hole blank if one tap hole is required
- Optional taps from our extensive range
- Optional plastic or chrome plated brass bottle traps
- In stock 1 to 2 working days

**Taps shown for illustration purposes only*

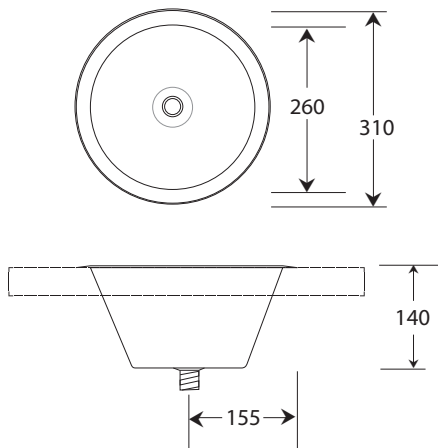
WE258 INSET OVAL WASH BASIN



- Grade 304 stainless steel, 0.9mm thick
- Bright polished finish
- Single 30mm diameter tap hole
- 32mm waste fitting with overflow, plug and chain
- Overall dimensions 529 x 454 x 155mm
- To be bonded into worktop
- Optional taps from our extensive range
- Optional plastic or chrome plated brass bottle traps
- Optional overflow with appropriate waste fitting
- In stock 1 to 2 working days

**Taps shown for illustration purposes only*

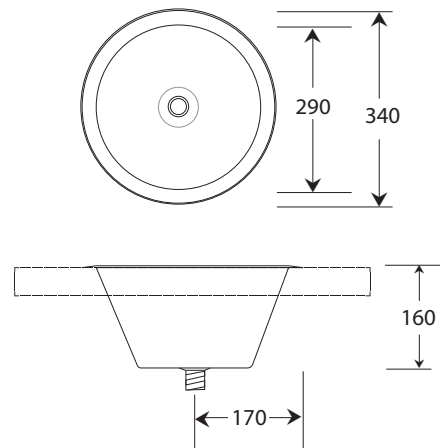
WE256 INSET SMALL WASH BOWL



- Grade 304 stainless steel, 1mm thick
- No tap holes
- 32mm waste fitting with overflow, plug and chain
- 310mm overall diameter, 260mm internal diameter
- To be inset into countertops up to 50mm thick
- Stainless steel stud and nut fixing
- 25mm flange
- Optional taps from our extensive range
- Optional plastic or chrome plated brass bottle traps
- In stock 1 to 2 working days

**Taps shown for illustration purposes only*

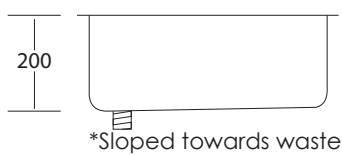
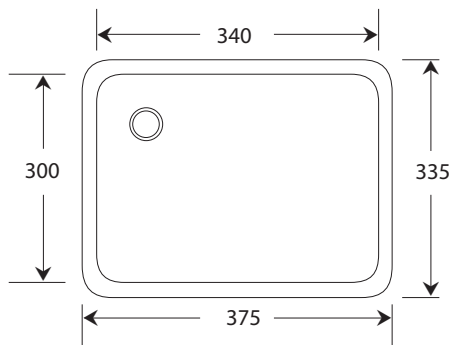
WE257 INSET LARGE WASH BOWL



- Grade 304 stainless steel, 1mm thick
- No tap holes
- 32mm waste fitting with overflow, plug and chain
- 340mm overall diameter, 290mm internal diameter
- To be inset into countertops up to 50mm thick
- Stainless steel stud and nut fixing
- 25mm flange
- Optional taps from our extensive range
- Optional plastic or chrome plated brass bottle traps
- In stock 1 to 2 working days

**Taps shown for illustration purposes only*

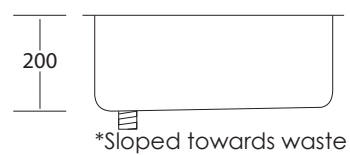
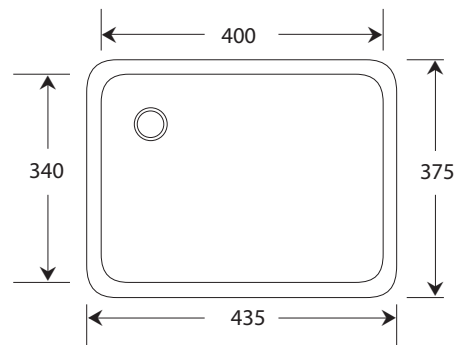
WE271 INSET SMALL RECTANGULAR DENTAL SINK



- Grade 304 stainless steel, 1mm thick
- No tap holes
- Left or right hand 38mm flush grated waste fitting (no overflow, plug or chain)
- Overall dimensions 375 x 335 x 200mm
- Overflow with appropriate waste by special order
- HTM64, HBN 00-10 and 01-05 compliant
- Larger model available
- Optional taps from our extensive range
- Optional plastic or chrome plated brass bottle traps
- In stock 1 to 2 working days

**Taps shown for illustration purposes only*

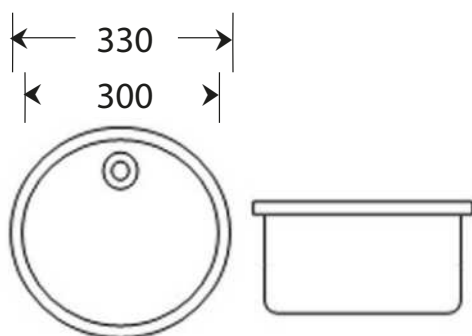
WE272 INSET LARGE RECTANGULAR DENTAL SINK



- Grade 304 stainless steel, 1mm thick
- No tap holes
- Left or right hand 38mm flush grated waste fitting (no overflow, plug or chain)
- Overall dimensions 435 x 375 x 200mm
- Overflow with appropriate waste by special order
- HTM64, HBN 00-10 and 01-05 compliant
- Smaller model available
- Optional taps from our extensive range
- Optional plastic or chrome plated brass bottle traps
- In stock 1 to 2 working days

**Taps shown for illustration purposes only*

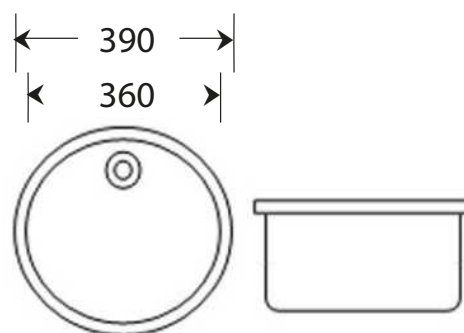
WE273-300 INSET SMALL ROUND DENTAL SINK



- Grade 304 stainless steel, 1mm thick
- Bright polished finish
- No tap holes
- 38mm flush grated waste fitting (no overflow, plug or chain)
- Overall diameter 330mm, internal diameter 300mm x 180mm deep
- Overflow with appropriate waste by special order
- HTM64, HBN 00-10 and 01-05 compliant
- Optional taps from our extensive range
- Optional plastic or chrome plated brass bottle traps
- In stock 1 to 2 working days

**Taps shown for illustration purposes only*

WE273-360 INSET LARGE ROUND DENTAL SINK



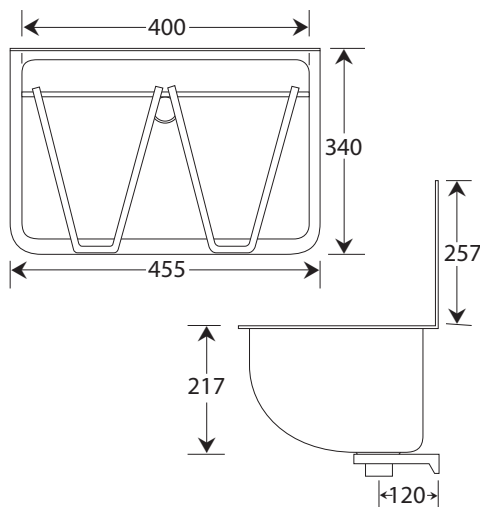
- Grade 304 stainless steel, 1mm thick
- Bright polished finish
- No tap holes
- 38mm flush grated waste fitting (no overflow, plug or chain)
- Overall diameter 390mm, internal diameter 360mm x 180mm deep
- Overflow with appropriate waste by special order
- HTM64, HBN 00-10 and 01-05 compliant
- Optional taps from our extensive range
- Optional plastic or chrome plated brass bottle traps
- In stock 1 to 2 working days

**Taps shown for illustration purposes only*

STAINLESS STEEL UTILITY SINKS

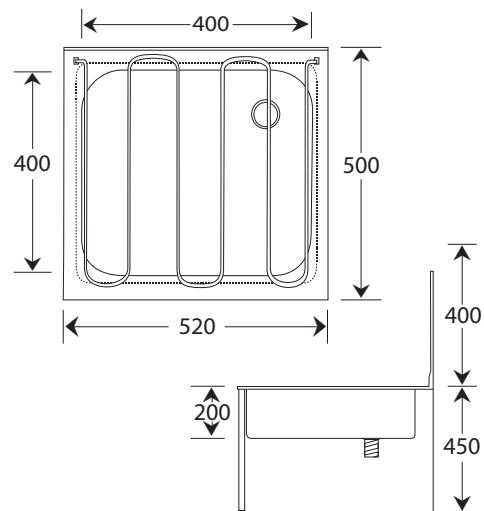
	Page
Wall Mounted Bucket Sink.....	73
Heavy Duty Bucket Sink	73
Heavy Duty Wall Mounted Bucket Sink With Removable Grating	74
Janitorial Unit.....	74
Small Knee Operated Sink.....	75
Large Knee Operated Sink	75
Single Sink Bowl With Frame and Shelf	76
Janitorial Sink and Wash Basin Unit.....	76
Floor Standing Belfast Sink	77
Floor Standing Boot Wash Sink.....	77
Utility Sink Accessories	78

WE281 WALL MOUNTED BUCKET SINK



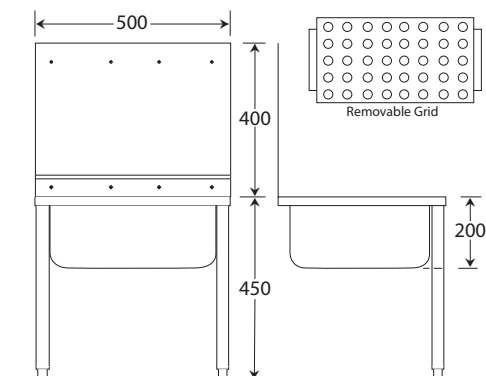
- Grade 304 stainless steel, 0.9mm thick
- 38mm flush grated waste fitting (no overflow, plug or chain)
- Wall mounted
- Removable hinged bucket grating
- Separate stainless steel 257mm splashback
- Wall bracket and wall fixing flange
- No legs - see alternative models for floor mounting
- Optional wall mounted taps from our extensive range
- Optional plastic or chrome plated brass bottle traps
- In stock 1 to 2 working days

WE282 HEAVY DUTY BUCKET SINK



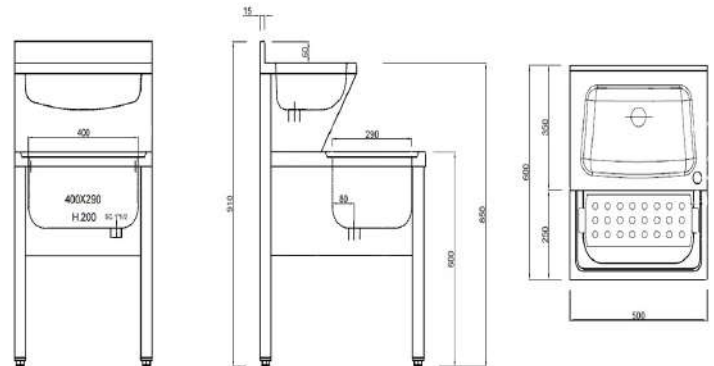
- Grade 304 stainless steel, 1.2mm thick
- 38mm flush grated waste fitting (no overflow, plug or chain)
- Wall mounted with front support legs
- Hinged bucket grating
- Separate stainless steel 400mm splashback
- Wall fixing points
- Stainless steel 450mm front legs with adjustable feet
- Optional wall mounted taps from our extensive range
- Optional plastic or chrome plated brass bottle traps
- In stock 1 to 2 working days

WE286 HEAVY DUTY BUCKET SINK WITH REMOVABLE BUCKET GRATING



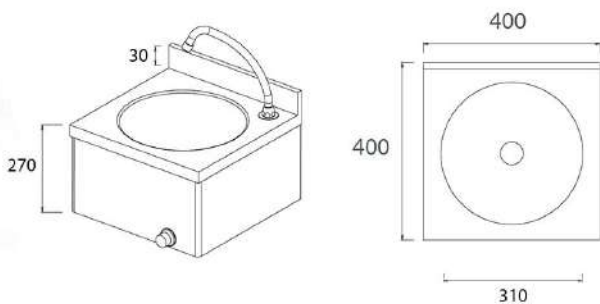
- Grade 304 stainless steel, 1.2mm thick
- 38mm flush grated waste fitting with standpipe overflow tube
- Wall mounted with front support legs
- Perforated removable stainless steel bucket grating
- Separate stainless steel 400mm splashback
- Wall fixing points
- Stainless steel 450mm front legs with adjustable feet
- Optional wall mounted taps from our extensive range
- Optional plastic or chrome plated brass bottle traps
- In stock 1 to 2 working days

MHP560-JU JANITORIAL UNIT



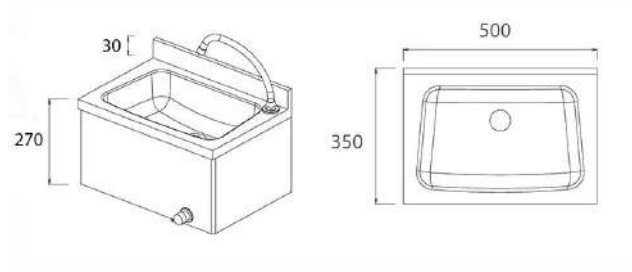
- Grade 304 stainless steel, 1.2mm thick
- 38mm flush grated waste fitting with standpipe overflow on sink
- 38mm waste fitting with plug for hand washing basin
- Combined bucket sink with hand wash basin
- Can be free standing or wall mounted with concealed bracket
- Lever operated swivel mixer tap with copper tails
- Perforated removable stainless steel bucket grating
- Four stainless steel legs with adjustable feet
- In stock 1 to 2 working days

WE235 KNEE OPERATED SINK



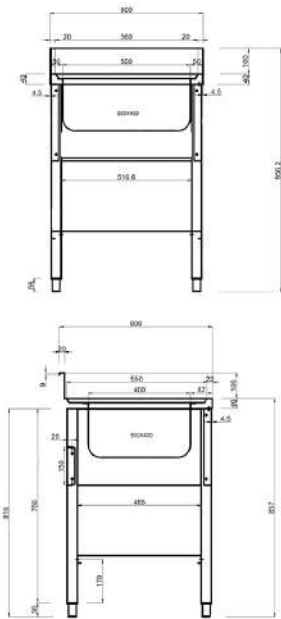
- Grade 304 stainless steel, 0.9mm thick
- Satin polished finish
- WRAS approved front push valve
- Swivel basin spout
- 38mm flush grated waste fitting
- Overall dimensions 400x 400 x 270mm
- Wall fixing points
- Optional plastic or chrome plated brass bottle traps
- In stock 1 to 2 working days

WE237 KNEE OPERATED SINK



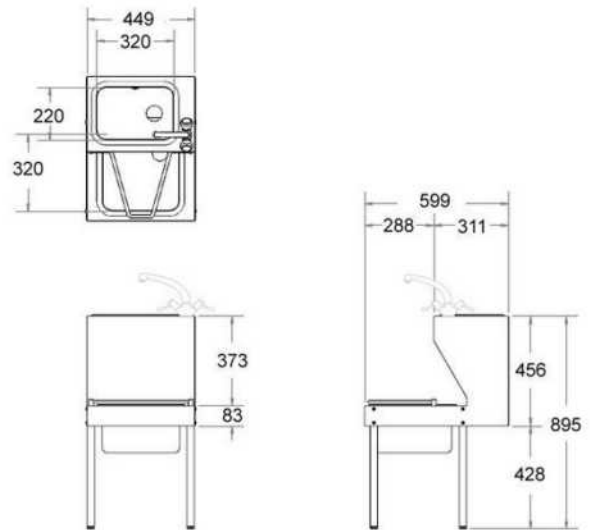
- Grade 304 stainless steel, 0.9mm thick
- Satin polished finish
- WRAS approved front push valve
- Swivel basin spout
- 38mm flush grated waste fitting
- Overall dimensions 500 x 350 x 270mm
- Wall fixing points
- Optional plastic or chrome plated brass bottle traps
- In stock 1 to 2 working days

CS860-SB SINGLE BOWL ON FRAME



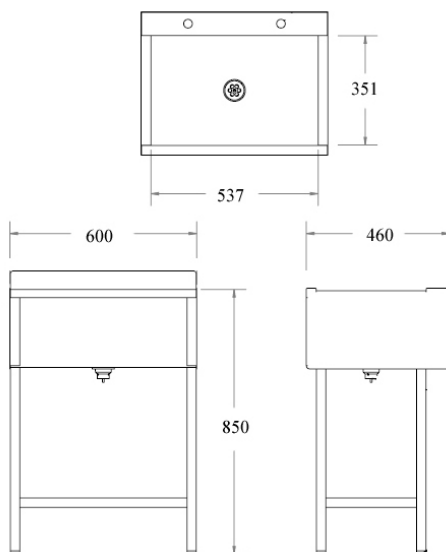
- Grade 304 stainless steel
- Satin polished finish
- 38mm waste fitting with stand up overflow
- Overall dimensions 600 x 600 x 850mm high
- Bowl size 500 x 400 x 200mm deep
- Tap holes drilled to customer requirements
- Supplied flat pack for easy site assembly
- Fully rigid when assembled
- Adjustable height feet
- Optional taps and traps
- In stock 1 to 2 working days

WE295 JANITORIAL SINK AND WASH BASIN UNIT



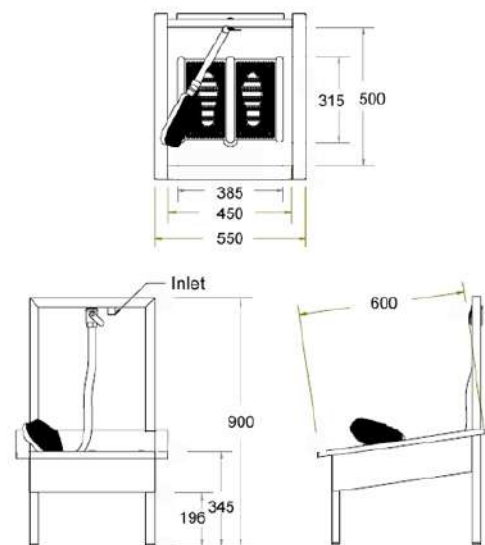
- Grade 304 stainless steel, 1.2mm thick
- 38mm flush grated waste fitting to sink bowl
- 38mm waste fitting with plug for hand washing basin
- Combined bucket sink with hand wash basin
- Wall and floor fixing points
- Lever operated swivel mixer tap with copper tails
- Hinged stainless steel bucket grating
- Four stainless steel legs with adjustable feet
- In stock 1 to 2 working days

WE287 FLOOR STANDING BELFAST SINK



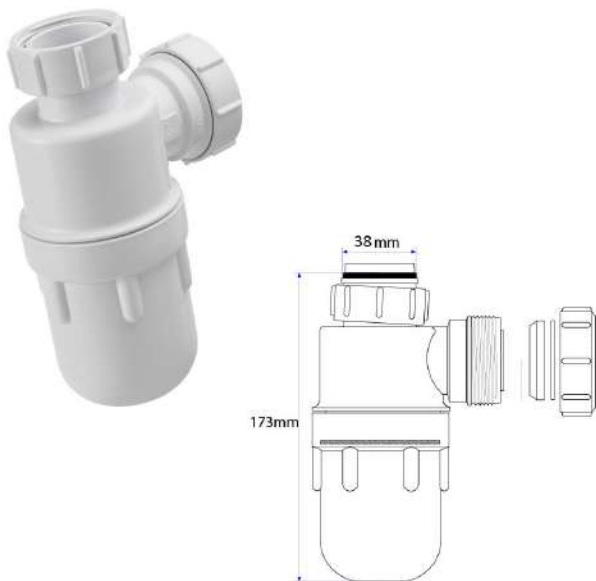
- Grade 304 stainless steel, 1.2mm thick
- 38mm waste fitting with overflow, plug and chain
- Two 28mm tap holes
- Sink bowl dimensions 537 x 351 x 250mm
- 60mm upstand
- Stainless steel support frame with adjustable feet
- Other sizes available to order
- Optional taps from our extensive range
- Optional plastic or chrome plated brass bottle traps
- Manufactured to order 10 to 15 working days

WE288 FLOOR STANDING BOOT WASH SINK



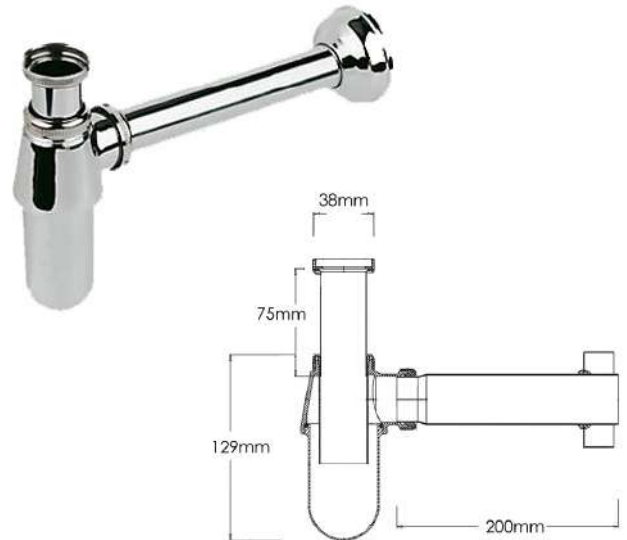
- Grade 304 stainless steel, 1.2mm thick
- 38mm flush grated waste fitting
- Sink bowl dimensions 450 x 500 x 149mm
- Water valve, hose and brush
- Foot pad with cleaning bristles
- Rear hand support rail
- Water supply controlled by valve mounted on rear hand rail
- Four stainless steel legs with adjustable feet
- Optional plastic or chrome plated brass bottle traps
- Manufactured to order 10 to 15 working days

LARGE-PLASTIC-BOTTLETRAP - 38MM
(1 1/2") BOTTLE TRAP



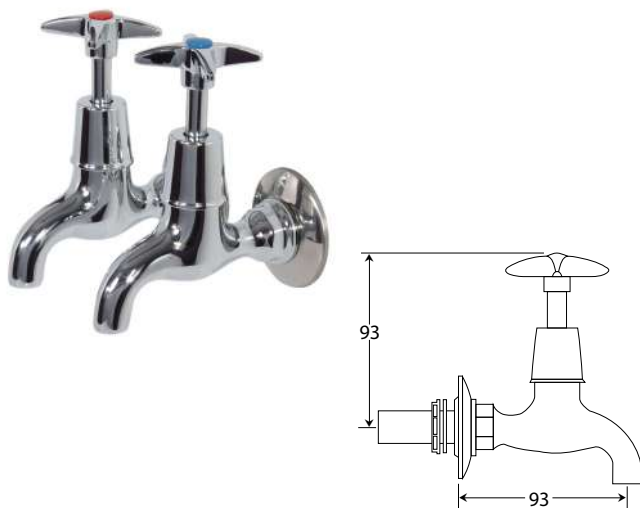
- McAlpine 38mm plastic bottle trap
- Suitable for 38mm waste fittings
- In stock 1 to 2 working days

LARGE-CHROME-BOTTLETRAP - (1 1/2")
CHROME PLATED BOTTLE TRAP



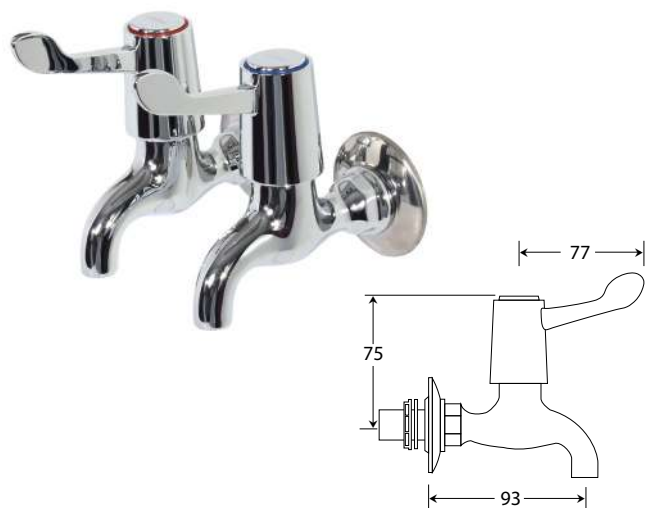
- 38mm chrome plated brass bottle trap with waste pipe and wall flange
- Suitable for 38mm waste fittings
- In stock 1 to 2 working days

TVS6713 CHROME PLATED CROSS
HEAD BIB TAPS



- Supplied in pairs, wall mounted design
- 1/2" tap connections, 22mm tap holes required
- Optional wall plate elbows (for exposed supply)
- Optional 50mm or 100mm extensions
- In stock 1 to 2 working days

TVS6723-3 CHROME PLATED LEVER
BIB TAPS



- Supplied in pairs, wall mounted design with 3" lever handles
- 1/2" tap connections, 22mm tap holes required
- Optional wall plate elbows (for exposed supply)
- Optional 50mm or 100mm extensions
- In stock 1 to 2 working days

CATERING SINKS AND TABLES

	Page
Stock Catering Sinks	95
Single Bowl No Drainer	96
Double Bowl No Drainer	96
Single Bowl Single Drainer.....	97
Single Bowl Double Drainer	97
Double Bowl Single Drainer	98
Double Bowl Double Drainer	98
Preparation Tables.....	99
Atlantic Single Bowl Single Drainer.....	99
City 50 & City 80 Inset Sinks.....	100
Grease Traps	100
Catering Accessories.....	101

CS860-STOCK STOCK CATERING SINKS



- Grade 304 stainless steel, 1mm thick sink top
- Grade 304 stainless steel, 1.2mm thick frame and shelf
- Flat pack with frame, shelf and adjustable feet
- 600mm front to back, 850mm high, 100mm rear boxed upstand
- **CS860-SB**
Single bowl no drainer: length 600mm, bowl 500 x 400 x 200mm
- **CS860-SBSB-10**
Single bowl single drainer: length 1000mm, bowl 500 x 400 x 200mm (left or right hand drainer)
- **CS860-SBSB-12**
Single bowl single drainer: length 1200mm, bowl 400 x 400 x 200mm (left or right hand drainer)
- **CS860-DBSD-15**
Double bowl single drainer: length 1500mm, bowls 2 x 400 x 400 x 200mm (left or right hand drainer)
- 38mm waste fitting with standpipe overflow to each sink bowl
- Tap holes drilled to suit customer requirements
- Optional taps from our extensive range
- In stock 2 to 3 working days

CS851-SB SINGLE BOWL NO DRAINER CATERING SINK



- Grade 304 stainless steel, 1.2mm thick
- 38mm waste fitting with overflow, plug and chain
- **CS851-SB-SITON** for sitting on a base unit by others
- **CS851-SB-INSET** for inseting into a worktop
- **CS851-SB-FRAME** Free standing design - flat pack with frame, shelf and adjustable feet (850mm high)
- Standard bowl size 500 x 400 x 250mm, other sizes available
- Standard front to back 600mm (inset design 550mm), other sizes available
- Standard length 740mm, other sizes available
- Tap holes drilled to customer specification
- Optional standpipe strainer/overflow waste fitting
- Optional taps from our extensive range
- Manufactured to order 10 to 15 working days

CS851-DB DOUBLE BOWL NO DRAINER CATERING SINK



- Grade 304 stainless steel, 1.2mm thick
- 38mm waste fittings with overflows, plugs & chains
- **CS851-DB-SITON** for sitting on a base unit by others
- **CS851-DB-INSET** for inseting into a worktop
- **CS851-DB-FRAME** Free standing design - flat pack with frame, shelf and adjustable feet (850mm high)
- Standard bowl size 500 x 400 x 250mm, other sizes available
- Standard front to back 600mm (inset design 550mm), other sizes available
- Standard length 1500mm, other sizes available
- Tap holes drilled to customer specification
- Optional standpipe strainer/overflow waste fitting
- Optional taps from our extensive range
- Manufactured to order 10 to 15 working days

CS851-SBSD SINGLE BOWL SINGLE DRAINER CATERING SINK



- Grade 304 stainless steel, 1.2mm thick
- 38mm waste fitting with overflow, plug and chain to each sink bowl
- **CS851-SBSB-SITON** to sit on a base unit by others
- **CS851-SBSD-INSET** for inseting into a worktop
- **CS851-SBSD-FRAME** Free standing design - flat pack with frame, shelf and adjustable feet (850mm high)
- Standard bowl size 500 x 400 x 250mm, other sizes available
- Standard front to back 600mm (inset design 550mm), other sizes available
- Standard lengths: 1000mm | 1200mm | 1500mm | 1800mm, other sizes available
- Left or right hand drainer
- Tap holes drilled to customer specification
- Optional standpipe strainer/overflow waste fitting
- Optional taps from our extensive range
- Manufactured to order 10 to 15 working days

CS851-SBDD SINGLE BOWL DOUBLE DRAINER CATERING SINK



- Grade 304 stainless steel, 1.2mm thick
- 38mm waste fitting with overflow, plug and chain to each sink bowl
- **CS851-SBDD-SITON** to sit on a base unit by others
- **CS851-SBDD-INSET** for inseting into a worktop
- **CS851-SBDD-FRAME** Free standing design - flat pack with frame, shelf and adjustable feet (850mm high)
- Standard bowl size 500 x 400 x 250mm, other sizes available
- Standard front to back 600mm (inset design 550mm), other sizes available
- Standard lengths: 1500mm | 1800mm, other sizes available
- Tap holes drilled to customer specification
- Optional standpipe strainer/overflow waste fitting
- Optional taps from our extensive range
- Manufactured to order 10 to 15 working days

CS851-DBSD DOUBLE BOWL SINGLE DRAINER CATERING SINK



- Grade 304 stainless steel, 1.2mm thick
- 38mm waste fitting with overflow, plug and chain to each sink bowl
- **CS851-DBSD-SITON** to sit on a base unit by others
- **CS851-DBSD-INSET** for inseting into a worktop
- **CS851-DBSD-FRAME** Free standing design - flat pack with frame, shelf and adjustable feet (850mm high)
- Standard bowl size 500 x 400 x 250mm, other sizes available
- Standard front to back 600mm (inset design 550mm), other sizes available
- Standard lengths: 1800mm | 2400mm, other sizes available
- Left or right hand drainer
- Tap holes drilled to customer specification
- Optional standpipe strainer/overflow waste fitting
- Optional taps from our extensive range
- Manufactured to order 10 to 15 working days

CS851-DBDD DOUBLE BOWL DOUBLE DRAINER CATERING SINK



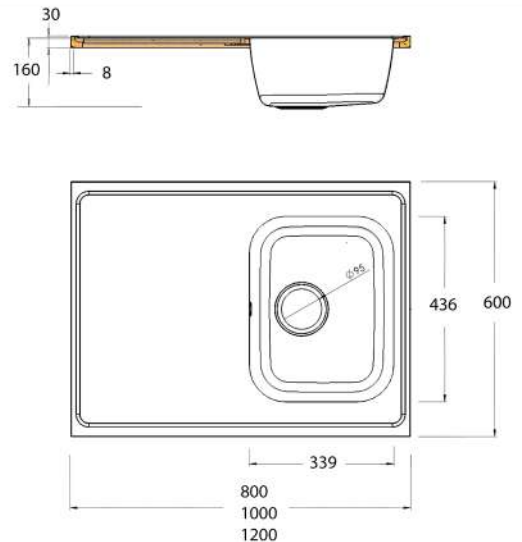
- Grade 304 stainless steel, 1.2mm thick
- 38mm waste fitting with overflow, plug and chain to each sink bowl
- **CS851-DBDD-SITON** to sit on a base unit by others
- **CS851-DBDD-INSET** for inseting into a worktop
- **CS851-DBDD-FRAME** Free standing design, flat pack with frame, shelf and adjustable feet (850mm high)
- Standard bowl size 500 x 400 x 250mm, other sizes available
- Standard front to back 600mm (inset design 550mm), other sizes available
- Standard lengths: 2400mm | 3000mm | 3500mm, other sizes available
- Tap holes drilled to customer specification
- Optional standpipe strainer/overflow waste fitting
- Optional taps from our extensive range
- Manufactured to order 10 to 15 working days

CS-PT PREPARATION TABLES



- Grade 304 stainless steel, 1.2mm thick
- Lengths up to 3000mm in one piece
- Standard front to back 600 or 650mm, other sizes available
- Flat pack with frame, shelf and adjustable feet
- Wall units with upstand for tables fixed against a rear wall
- Island units without upstand for tables fixed in the centre of the room
- Shelf height 180mm
- Overall height 850mm
- Manufactured to order 10 to 15 working days

ATLANTIC SINGLE BOWL SINGLE DRAINER CATERING SINK TOP



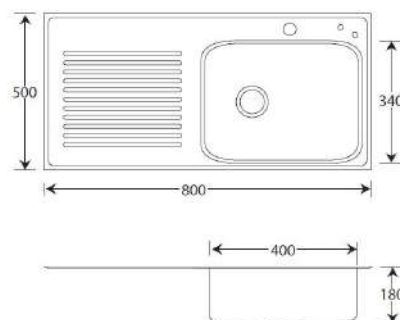
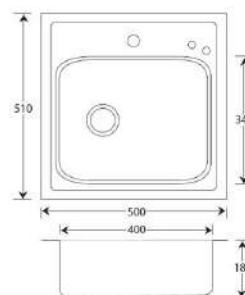
- Grade 304 stainless steel, 0.7mm thick
- Bright polished finish
- 38mm waste fitting with overflow, trap and stainless steel plug
- Lengths: 800mm | 1000mm | 1200mm
- Reversible sink top with a left or right hand drainer
- Sit on design for sitting on existing base units
- MDF strengthening bonded to underside
- 600mm front to back
- No tap holes or single 35mm tap hole to rear drainer side of bowl
- In stock 2 to 3 working days

STAINLESS STEEL GREASE TRAPS



- Grade 304 stainless steel
- 6 sizes from 37 to 170 litres
- McAlpine inlet and outlet fittings
- Revolvable internal basket strainer
- Airtight lid with neoprene seal
- Complies with BS EN 1825-1:2004 UK Building Regs
- Fully welded construction
- 10 year warranty
- In stock 2 to 3 working days

CITY 50S & CITY80SR INSET SINGLE BOWL & SINGLE BOWL SINGLE DRAINER



- Grade 304 stainless steel, 0.8mm thick
- Bright polished finish
- 38mm pop up strainer waste fitting with overflow
- No drainer model & left hand drainer model
- Supplied with sink mounted soap dispenser
- Inset design for inseting into existing worktops
- Small size suitable for smaller kitchen worktops
- Single 35mm tap hole
- Bowl size 400 x 340 x 180mm deep
- In stock 2 to 3 working days

TVS6712 HIGH NECK CROSS HEAD SINK TAPS



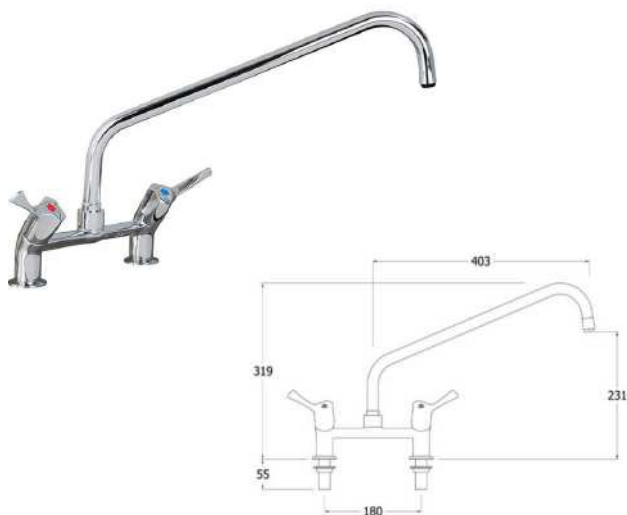
- Solid brass and finished in high polish chrome
- Supplied in pairs
- ½" tap connections, 22mm tap holes required
- Easy on/off action
- In stock 1 to 2 working days

TVS6722 HIGH NECK QUARTER TURN LEVER SINK TAPS (THREE INCH LEVERS)



- Solid brass and finished in high polish chrome
- Supplied in pairs
- ½" tap connections, 22mm tap holes required
- Easy wrist or elbow operation
- In stock 1 to 2 working days

TVS-TXB-30 LEVER MIXER TAP WITH LONG SPOUT



- Hot and cold lever operation
- 400mm long spout
- To order 2 to 3 working days

CATERING PRE-RINSE SPRAY TAPS



- Single or two tap hole fitting
- Standard, short and super short designs
- Optional pot fillers
- See tap section for full range
- In stock 1 to 2 working days