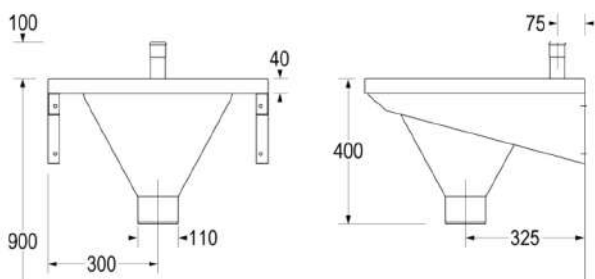
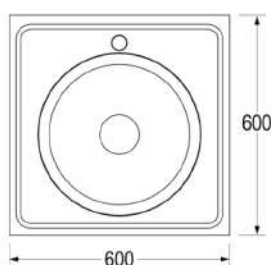


HOSPITAL EQUIPMENT

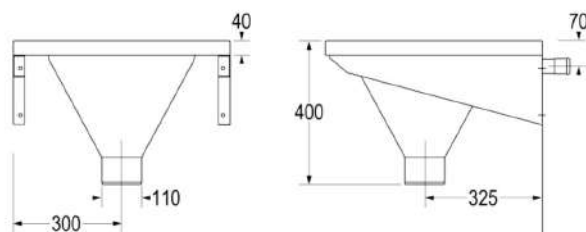
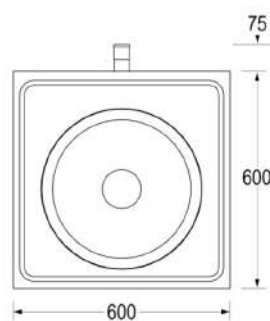
	Page
DU Sluice Sink - Exposed Cistern	80
DU Sluice Sink - Concealed Cistern.....	80
DU HS Sluice Sink with Sink and Plain Top - Exposed Cistern.....	81
DU HS Sluice Sink with Sink and Plain Top - Concealed Cistern	81
DU H Sluice Sink with Plain Top - Exposed Cistern	82
DU H Sluice Sink with Plain Top - Concealed Cistern	82
PS H Plaster Sink	83
SU H Scrub Up Trough.....	83
SK 1 Single Bowl Sink 600 x 600mm	84
SK 2 Double Bowl Sink.....	84
ST A Single Bowl Single Drainer Sink Top	85
ST B Single Bowl Double Drainer Sink Top	85
ST C Double Bowl Single Drainer Sink Top.....	86
SK 3 Single Bowl Sink 500mm x 500mm	86
Hospital Janitorial Unit.....	87
Sharps Box with Sharps Bin	87
Wall Mounted Thermostatic Tap	88
Deck Mounted Thermostatic Tap	88
Hospital Equipment Accessories	89
Hospital Equipment Accessories	90

MHP804-TE SLUICE SINK - EXPOSED CISTERN



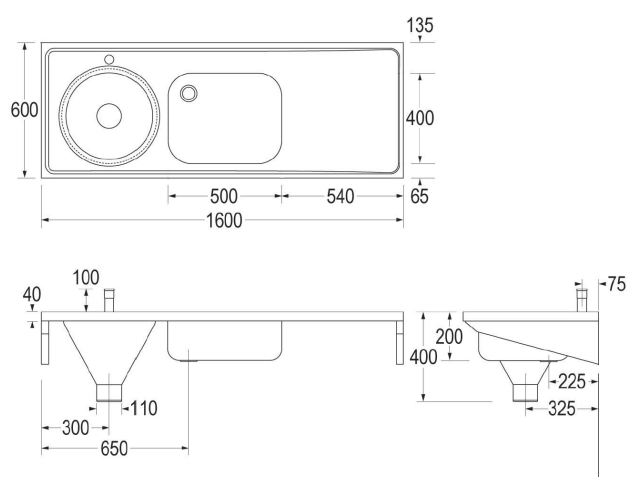
- Model DU hospital disposal unit with slop hopper
- Grade 304 stainless steel, 1.2mm thick
- Pressed top to conform to HBN 00-10 Part C and HTM64 standards
- Top entry flush pipe connection with flush pipe (for exposed cistern)
- Stainless steel wall brackets
- Full flushing rim (requires cistern)
- 110mm OD outlet with optional plastic P or S trap
- Optional hinged stainless steel grating
- Optional front support legs, cisterns, tap holes and taps
- In stock 2 to 3 working days

MHP804-BE SLUICE SINK - CONCEALED CISTERN



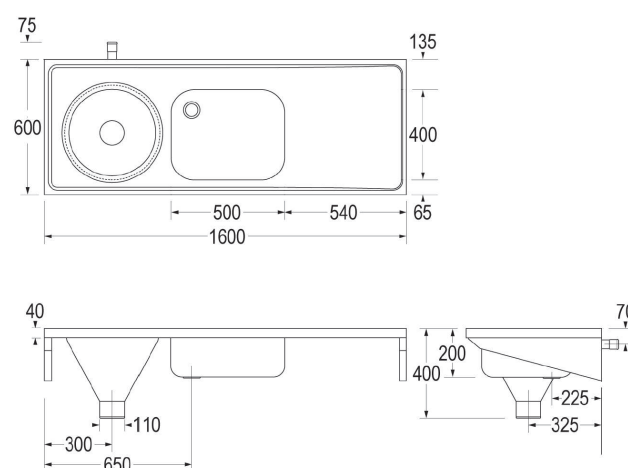
- Model DU hospital disposal unit with slop hopper
- Grade 304 stainless steel, 1.2mm thick
- Pressed top to conform to HBN 00-10 Part C and HTM64 standards
- Back entry flush pipe connection (for concealed cistern)
- Stainless steel wall brackets
- Full flushing rim (requires cistern)
- 110mm OD outlet with optional plastic P or S trap
- Optional hinged stainless steel grating
- Optional front support legs, cisterns, tap holes and taps
- In stock 2 to 3 working days

MHP801-TE SLUICE SINK WITH SINK AND PLAIN TOP - EXPOSED CISTERN



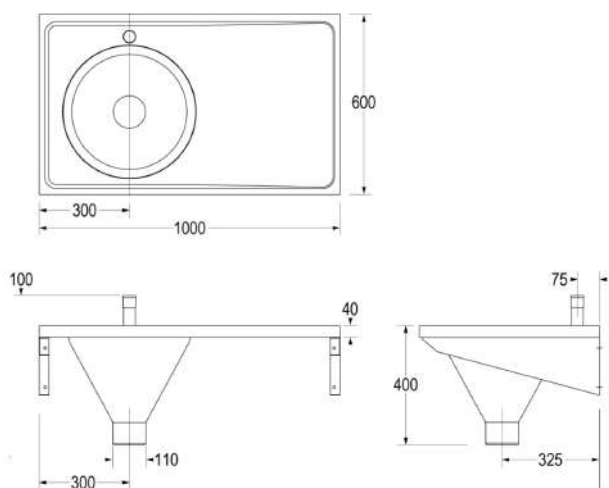
- Model DU HS hospital disposal unit with slop hopper, sink and plain top
- Grade 304 stainless steel, 1.2mm thick
- Pressed top to conform to HBN 00-10 Part C and HTM64 standards
- Top entry flush pipe connection with flush pipe (for exposed cistern)
- Stainless steel wall brackets
- Full flushing rim (requires cistern), 110mm OD outlet with optional plastic P or S trap
- Sink with 38mm flush grated waste fitting, no overflow or plug
- Left or right hand sluice sink (slop hopper) available
- Optional hinged stainless steel grating, front support legs, cisterns, tap holes and taps
- In stock 2 to 3 working days

MHP801-BE SLUICE SINK WITH SINK AND PLAIN TOP - CONCEALED CISTERN



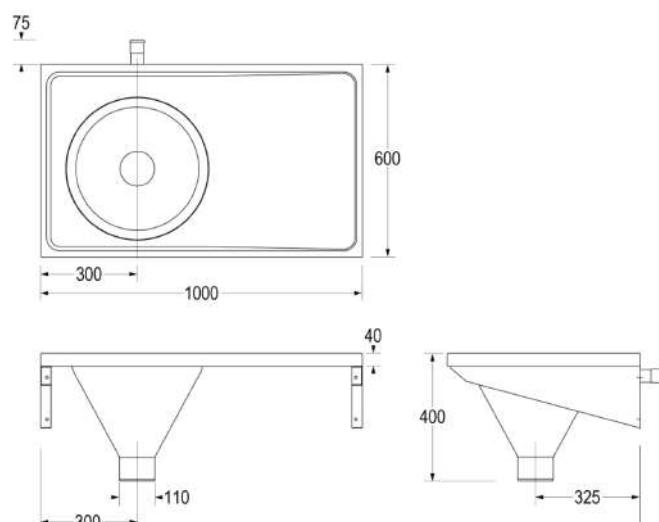
- Model DU HS hospital disposal unit with slop hopper, sink and plain top
- Grade 304 stainless steel, 1.2mm thick
- Pressed top to conform to HBN 00-10 Part C and HTM64 standards
- Back entry flush pipe connection with flush pipe (for concealed cistern)
- Stainless steel wall brackets
- Full flushing rim (requires cistern), 110mm OD outlet with optional plastic P or S trap
- Sink with 38mm flush grated waste fitting, no overflow or plug
- Left or right hand sluice sink (slop hopper) available
- Optional hinged stainless steel grating, front support legs, cisterns, tap holes and taps
- In stock 2 to 3 working days

MHP802-TE SLUICE SINK WITH PLAIN TOP - EXPOSED CISTERN



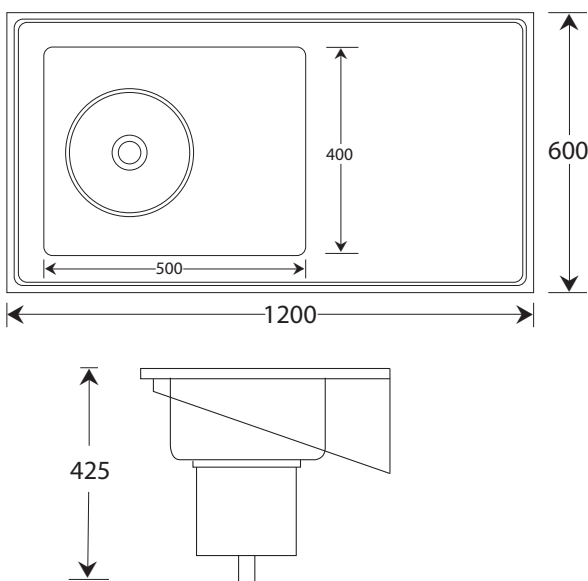
- Model DU H hospital disposal unit with slop hopper and plain top
- Grade 304 stainless steel, 1.2mm thick
- Pressed top to conform to HBN 00-10 Part C and HTM64 standards
- Top entry flush pipe connection with flush pipe (for exposed cistern)
- Stainless steel wall brackets
- Full flushing rim (requires cistern), 110mm OD outlet with optional plastic P or S trap
- Left or right hand sluice sink (slop hopper) available
- Optional hinged stainless steel grating
- Optional front support legs, cisterns, tap holes and taps
- In stock 2 to 3 working days

MHP802-BE SLUICE SINK WITH PLAIN TOP - CONCEALED CISTERN



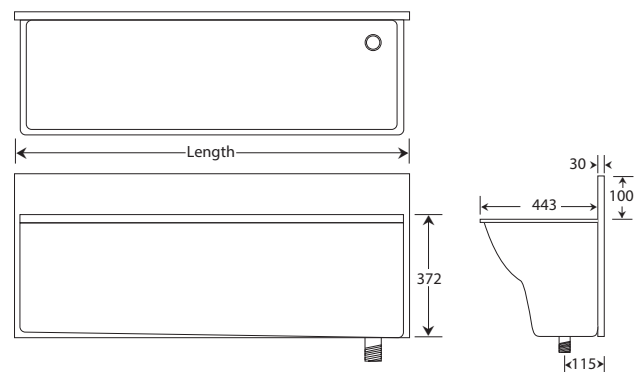
- Model DU H hospital disposal unit with slop hopper and plain top
- Grade 304 stainless steel, 1.2mm thick
- Pressed top to conform to HBN 00-10 Part C and HTM64 standards
- Back entry flush pipe connection with flush pipe (for concealed cistern)
- Stainless steel wall brackets
- Full flushing rim (requires cistern), 110mm OD outlet with optional plastic P or S trap
- Left or right hand sluice sink (slop hopper) available
- Optional hinged stainless steel grating
- Optional front support legs, cisterns, tap holes and taps
- In stock 2 to 3 working days

MHP805 PLASTER SINK



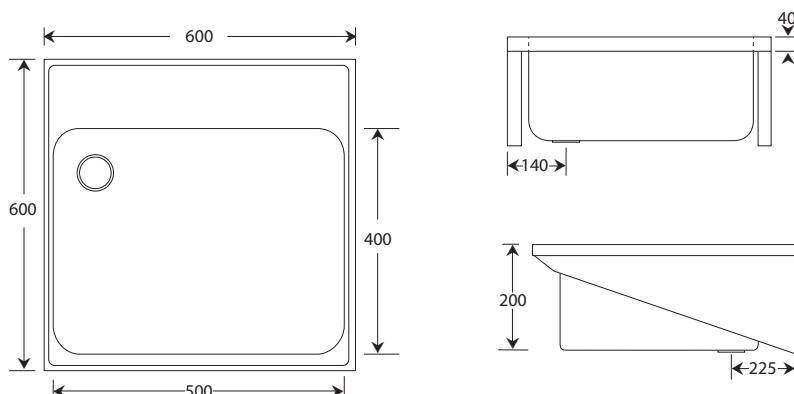
- Model PS H hospital plaster sink with plain top
- Grade 304 stainless steel, 1.2mm thick
- Pressed top to conform to HBN 00-10 Part C and HTM64 standards
- Stainless steel wall brackets
- Round plaster sump with removable perforated basket and lid
- 38mm flush grated waste fitting, no overflow or plug
- Left or right hand sink
- Optional front support legs
- Optional tap holes and taps
- Manufactured to order 10 to 15 working days

MHP806-FR SCRUB UP TROUGH



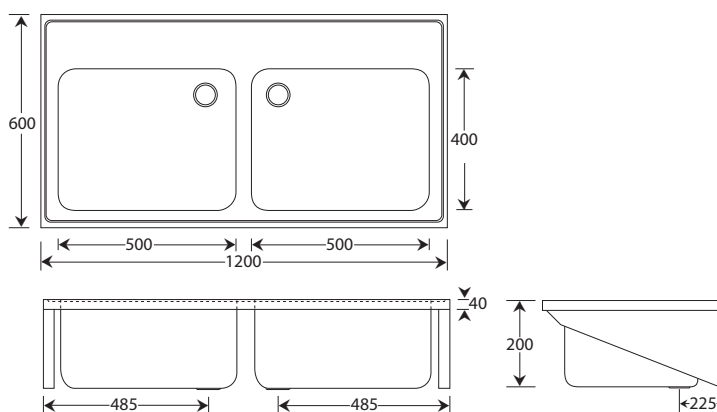
- Model SU H surgeons wall mounted scrub up trough
- Grade 304 stainless steel, 1.5mm thick
- Conforms to HBN 00-10 Part C and HTM64 standards
- Fully radiused polished corners
- 3 standard sizes: 800mm | 1600mm | 2400mm
- Standard model with low shallow splashback
- High or low splashback models available
- Shallow or deep splashback models available
- Left or right hand 38mm flush grated waste fitting
- Optional trap covers, tap holes and taps
- Manufactured to order 15 to 20 working days

MHP808-SK1 SINGLE BOWL SINK



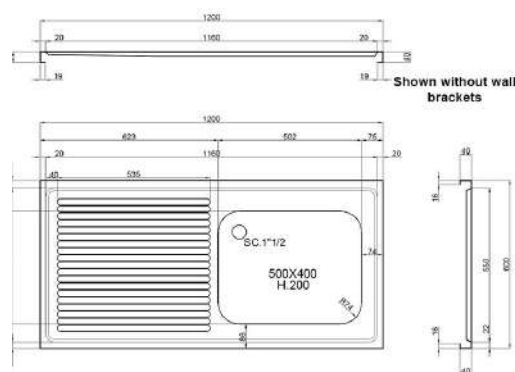
- Model SK 1 single bowl sink
- Grade 304 stainless steel, 1.2mm thick
- Conforms to HBN 00-10 Part C and HTM64 standards
- Stainless steel wall brackets
- 38mm flush grated waste fitting, no overflow or plug
- Fully radiused easy clean corners
- Optional tap holes
- Optional front support legs
- Optional taps from our extensive range
- In stock 2 to 3 working days

MHP808-SK2 DOUBLE BOWL SINK



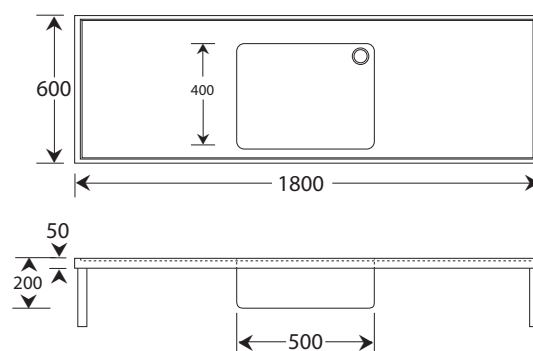
- Model SK 2 double bowl sink
- Grade 304 stainless steel, 1.2mm thick
- Conforms to HBN 00-10 Part C and HTM64 standards
- Stainless steel wall brackets
- 38mm flush grated waste fittings, no overflows or plugs
- Fully radiused easy clean corners
- Optional tap holes to each bowl
- Optional front support legs
- Optional taps from our extensive range
- In stock 2 to 3 working days

MHP809-STA SINGLE BOWL SINGLE DRAINER SINK TOP



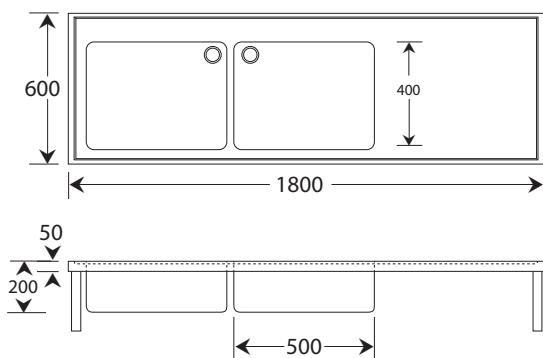
- Model ST A single bowl single drainer sink top
- Grade 304 stainless steel, 1.2mm thick
- Conforms to HBN 00-10 Part C and HTM64 standards
- Left or right hand drainer
- Stainless steel wall brackets
- 38mm flush grated waste fitting, no overflow or plug
- Fully radiused easy clean corners
- Optional front support legs
- Optional tap holes and taps
- In stock 2 to 3 working days

MHP809-STB SINGLE BOWL DOUBLE DRAINER SINK TOP



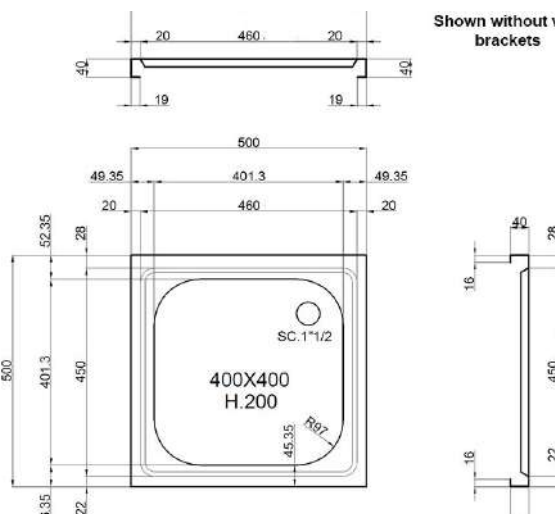
- Model ST B single bowl double drainer sink top
- Grade 304 stainless steel, 1.5mm thick
- Conforms to HBN 00-10 Part C and HTM64 standards
- Stainless steel wall brackets
- 38mm flush grated waste fitting, no overflow or plug
- Fully radiused easy clean corners
- Optional tap holes
- Optional front support legs
- Optional taps from our extensive range
- Manufactured to order 10 to 15 working days

MHP809-STC DOUBLE BOWL SINGLE DRAINER SINK TOP



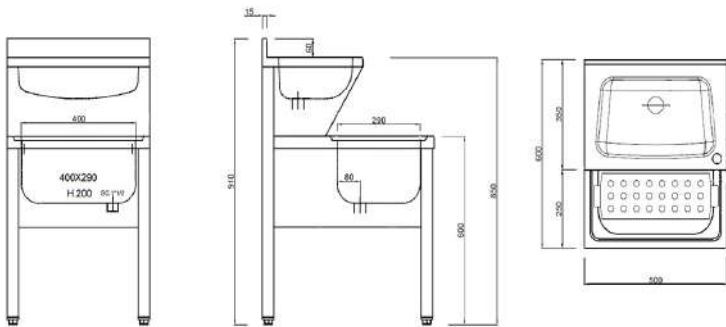
- Model ST C double bowl single drainer sink top
- Grade 304 stainless steel, 1.5mm thick
- Conforms to HBN 00-10 Part C and HTM64 standards
- Left or right hand drainer
- Stainless steel wall brackets
- 38mm flush grated waste fittings, no overflows or plugs
- Fully radiused easy clean corners
- Optional front support legs
- Optional tap holes and taps
- Manufactured to order 10 to 15 working days

MHP808-SK3 SINGLE SINK BOWL 500MM



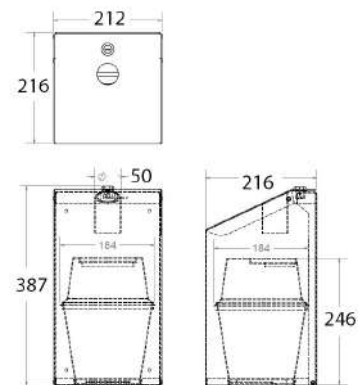
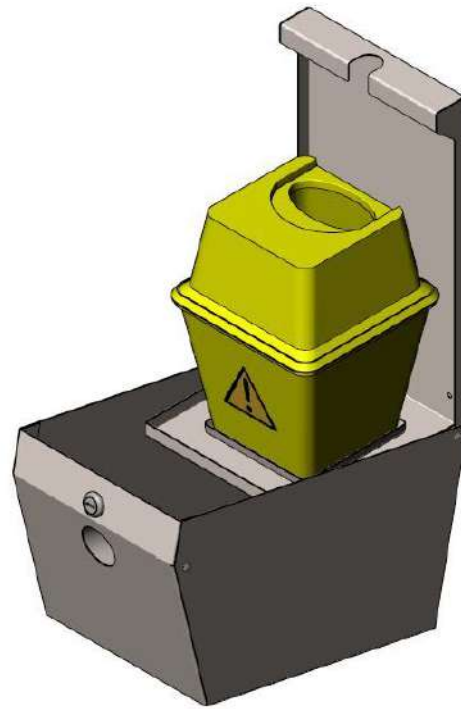
- Model SK 3 500mm x 500mm single bowl sink
- Grade 304 stainless steel, 1.2mm thick
- Conforms to HBN 00-10 Part C and HTM64 standards
- Stainless steel wall brackets
- 38mm flush grated waste fitting, no overflow or plug
- Fully radiused easy clean corners
- Optional tap holes
- Optional front support legs
- Optional taps from our extensive range
- In stock 2 to 3 working days

MHP560-JU HOSPITAL JANITORIAL UNIT



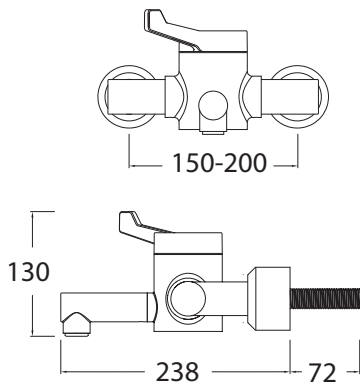
- Grade 304 stainless steel, 1.2mm thick
- 38mm flush grated waste fitting with standpipe overflow on sink
- 38mm waste fitting with plug for hand washing basin
- Combined bucket sink with hand wash basin
- Can be free standing or wall mounted with concealed bracket
- Lever operated swivel mixer tap with copper tails
- Perforated removable stainless steel bucket grating
- Four stainless steel legs with adjustable feet
- In stock 1 to 2 working days

MHP814 SHARPS BOX WITH SHARPS BIN



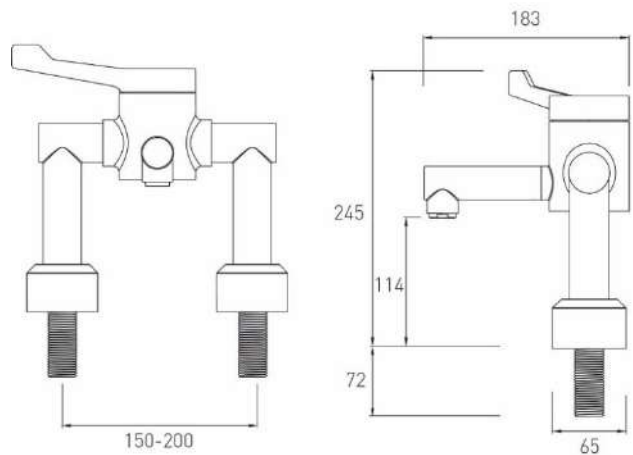
- Wall mounted sharps disposal box with sharps bin
- Grade 304 stainless steel, 1.2mm thick
- Safe and secure disposal of needles and sharp objects
- Concealed wall fixing holes
- 2 litre removable plastic sharps container
- Supplied with one container
- Hinged door with lock
- 38mm diameter hole for disposal of needles and sharps
- Deep disposal tube helps prevent accidental injury
- Manufactured to order 10 to 15 working days

TVS6761 WALL MOUNTED THERMOSTATIC TAP



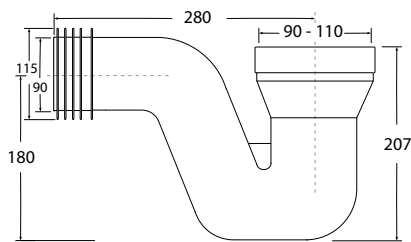
- Wall mounted lever operated thermostatic hospital mixer tap
- Compliant to HTM 04-01 NHS D08 (formerly HTM64 and HBN 00-10) standards
- Safe touch body
- Lever can be operated easily by wrist or elbow
- Internal flushing mechanism assists against infection
- One step isolation and filter removal
- Adjustable fixing centres
- WRAS approved
- 2 x 22mm tap holes required
- In stock 2 to 3 working days

TVS6765 DECK MOUNTED THERMOSTATIC TAP



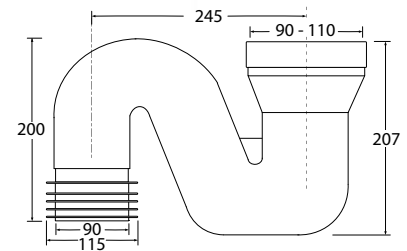
- Deck mounted lever operated thermostatic hospital mixer tap
- HTM 04-01 NHS D08 compliant (formerly HTM64 and HBN 00-10)
- Safe touch body
- Lever can be operated easily by wrist or elbow
- Internal flushing mechanism assists against infection
- One step isolation and filter removal
- Adjustable fixing centres
- WRAS approved
- 2 x 22mm tap holes required
- In stock 2 to 3 working days

POLYPTRAP P TRAP



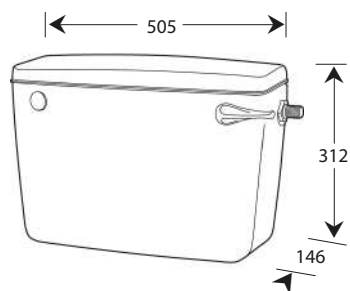
- Polypropylene 4" P trap
- Horizontal outlet
- Push fit connections
- In stock 1 to 2 working days

POLYSTRAP S TRAP



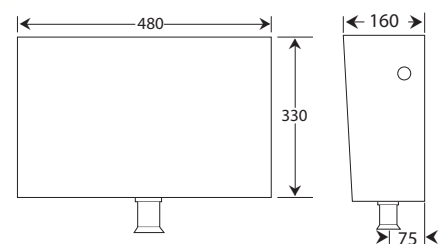
- Polypropylene 4" S trap
- Vertical outlet
- Push fit connections
- In stock 1 to 2 working days

MHP-CISTERN-PLASTIC PLASTIC EXPOSED CISTERN



- White plastic exposed manual cistern
- Front lever operation
- Concealed model also available
- In stock 1 to 2 working days

MHP-CISTERN-STAINLESS STAINLESS STEEL EXPOSED CISTERN



- Stainless steel grade 304 exposed manual cistern
- Front lever operation
- Side inlet
- In stock 1 to 2 working days

TVS6768BPC WALL MOUNTED BED PAN CLEANER



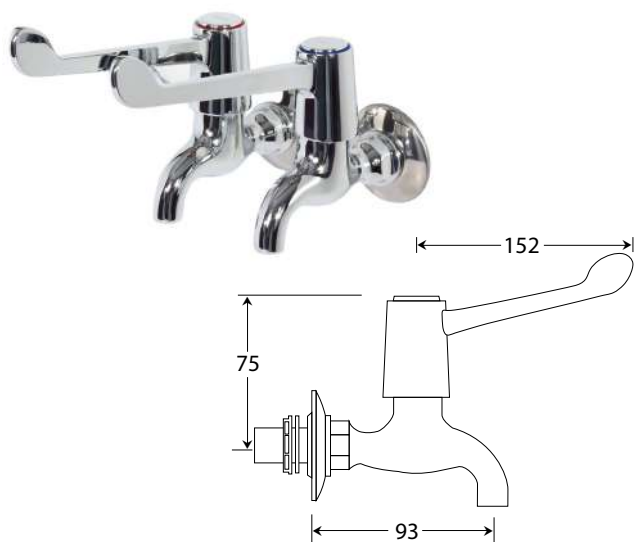
- Hose and trigger operated spray head
- Vacuum breaker to prevent water supply contamination
- Can be connected to exposed or concealed water supply
- In stock 1 to 2 working days

TVS6722-6 LEVER SINK TAPS (SIX INCH LEVERS)



- Supplied in pairs, deck mounted design
- 1/2" tap connections, 22mm tap holes required
- Quarter turn operation
- Easy wrist or elbow operation
- In stock 1 to 2 working days

TVS6723-6 LEVER BIB TAPS (SIX INCH LEVERS)



- Supplied in pairs, wall mounted design
- 1/2" tap connections, 22mm tap holes required
- Optional wall plate elbows (for exposed supply)
- Optional 50mm or 100mm extensions
- In stock 1 to 2 working days

CP100WX-PAIR 100MM BIB TAP EXTENSIONS



- Supplied in pairs
- For lever and cross head bib taps
- 1/2" connections
- Optional wall plate elbows (for exposed supply)
- In stock 1 to 2 working days