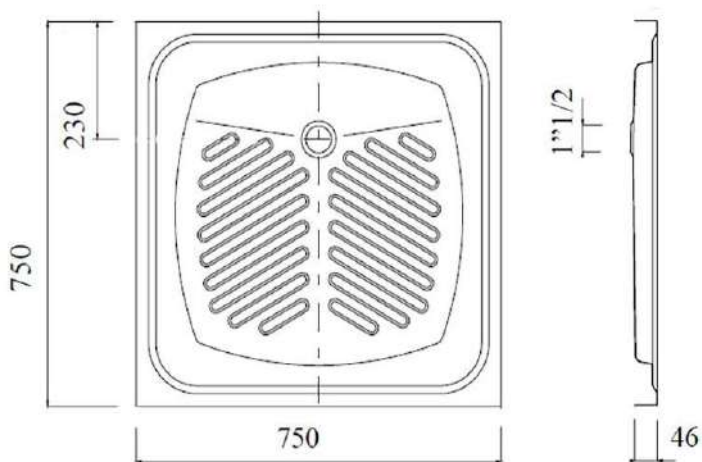


---

# SHOWERS

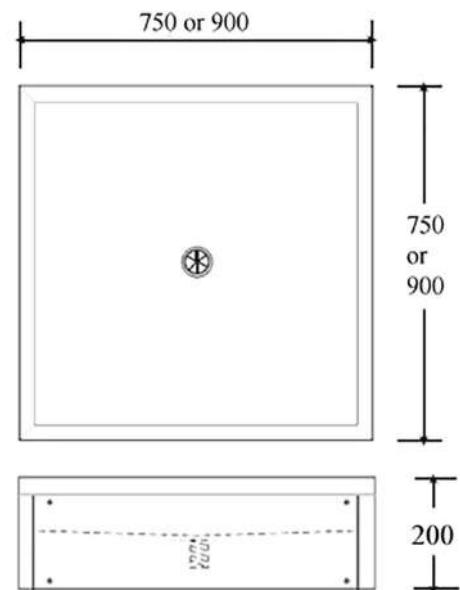
	Page
Recessed Shower Tray .....	103
Floor Standing Shower Tray .....	103
Wall Mounted Shower Panel .....	104
Shower Cubicle .....	104
Shower Panel .....	105
Sports Wall Mounted Shower Panel .....	105
Free Standing Beach Shower .....	106
Free Standing Column Shower .....	106

## SH495 RECESSED SHOWER TRAY



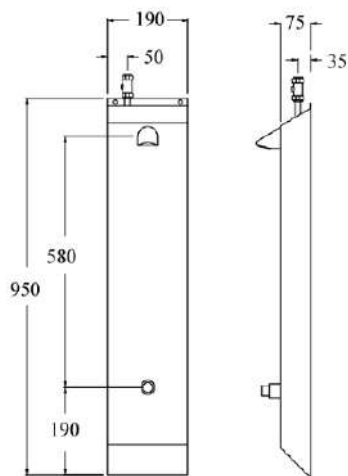
- Grade 304 stainless steel, 1.2mm thick
- 38mm flush grated waste fitting (no overflow or plug)
- Rear centre waste position
- Designed to be installed into the floor
- Turned down edges for recessing into the floor or mounting on a timber frame
- 750mm square
- 46mm flange to all four sides
- 46mm deep
- In stock 2 to 3 working days

## SH492 FLOOR STANDING SHOWER TRAY



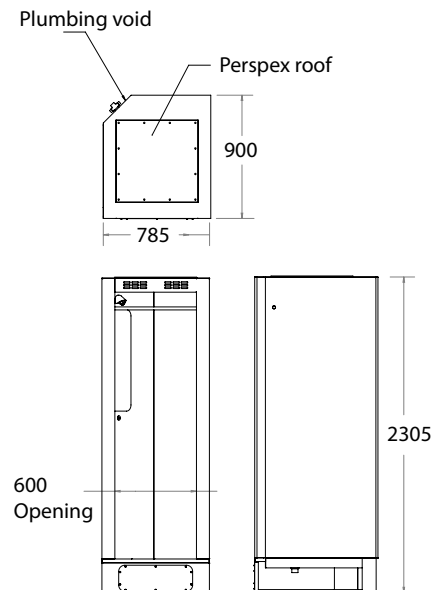
- Grade 304 stainless steel, 1.2mm thick
- 38mm flush grated waste fitting (no overflow or plug)
- Centre or corner waste position
- Designed to be installed onto the floor
- Removable front access panel
- 750mm or 900mm square
- 40mm flange to all four sides
- 200mm high from the floor
- Other sizes available
- Manufactured to order 10 to 15 working days

## SH521 WALL MOUNTED SHOWER PANEL



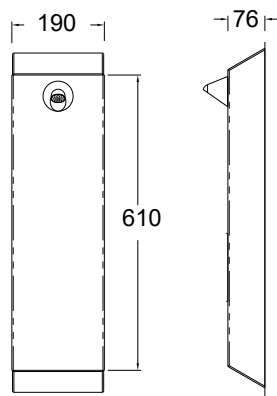
- Grade 304 stainless steel, 1.5mm thick
- Fixed vandal resistant shower head
- Press button time flow shower valve
- Adjustable run time from 2 to 60 seconds
- Top entry single water supply connection
- 15mm water connection
- Fitted with water isolating valve
- Pre-plumbed
- Easily adapted on site to suit a concealed water supply connection
- Assembled to order 2 to 3 working days

## SH571 SHOWER CUBICLE



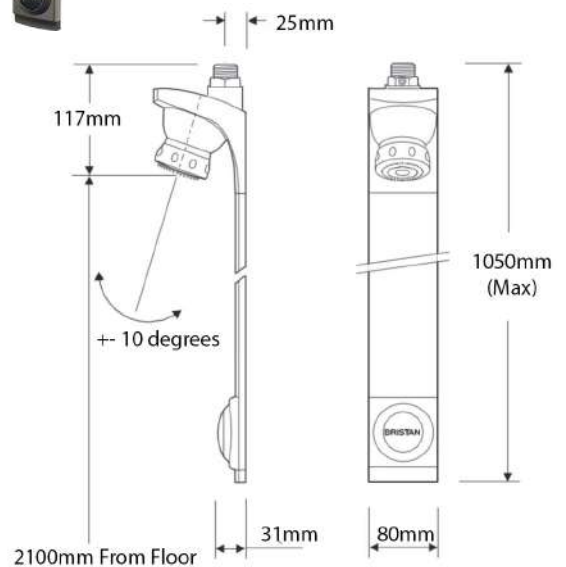
- Grade 304 stainless steel, 1.2mm thick
- Single fully welded cubicle or range of cubicles
- Vandal resistant shower head
- Press button time flow shower valve (requires pre mixed water)
- Enclosed roof - stainless steel or perspex
- Curtain rail or perspex bi-fold door
- Finished end panels for exposed ends
- Manufactured to suit site dimensions and customer specifications (sizes on drawing for ref only)
- Manufactured to order 15 to 20 working days

NO LONGER AVAILABLE



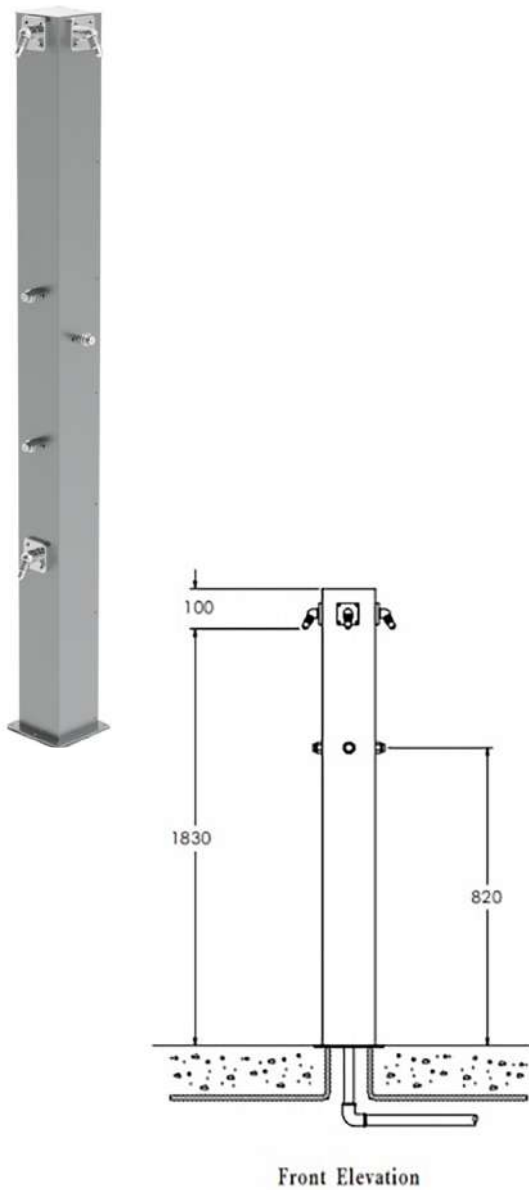
- NO LONGER AVAILABLE

SH524 SPORTS WALL MOUNTED  
SHOWER PANEL



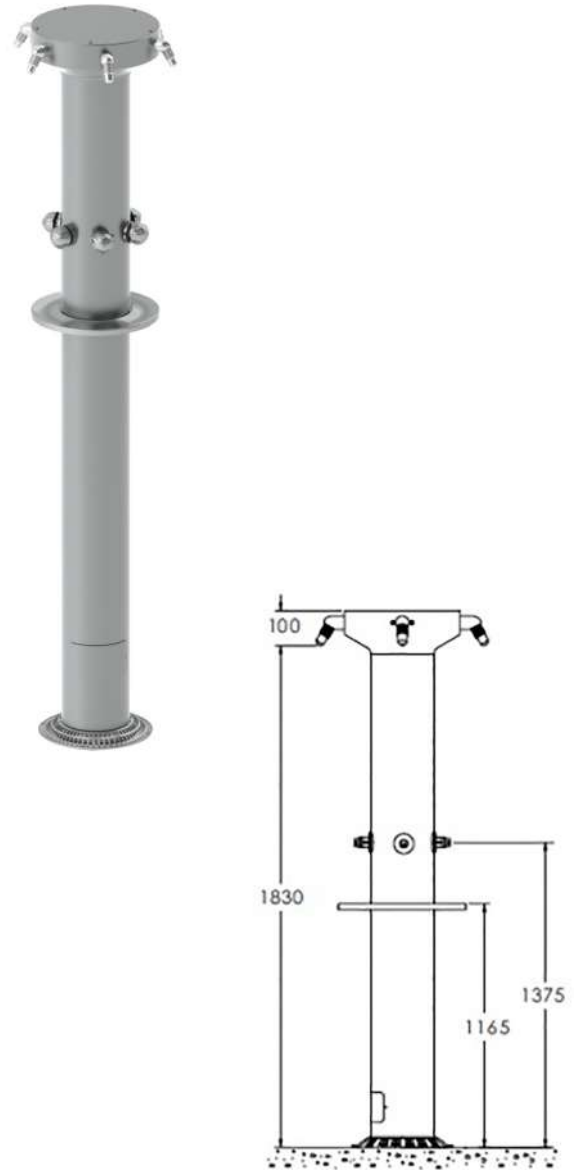
- Satin finish aluminium body
- Chrome and plastic shower head
- Chrome plated time flow shower valve
- Approximately 30 seconds run time
- Concealed wall fixing plate
- Telescopic top entry 3/4" water connection
- Pre-plumbed
- Built in isolating valve
- To order 4 to 5 working days

## SH641 FREE STANDING BEACH SHOWER



- Grade 316 stainless steel, 1.6mm thick
- 1 to 4 shower heads
- Individual time flow shower valves
- Adjustable run time from 5 to 60 seconds
- Optional foot sprays with individual controls
- Floor fixing flange
- In-ground anchor plate
- Factory assembled and pre-plumbed
- Removable access panels secured with security screws
- Manufactured to order 12 to 14 working weeks

## SH621 STAINLESS STEEL COLUMN SHOWER



- Grade 304 stainless steel, 1.6mm thick
- 4 to 6 shower heads
- Individual time flow shower valves
- Adjustable run time from 5 to 60 seconds
- Floor fixing flange
- In-ground anchor plate
- Factory assembled and pre-plumbed
- Removable access panels secured with security screws
- Top or bottom entry water supply with optional overhead pipe shroud
- Manufactured to order 12 to 14 working weeks