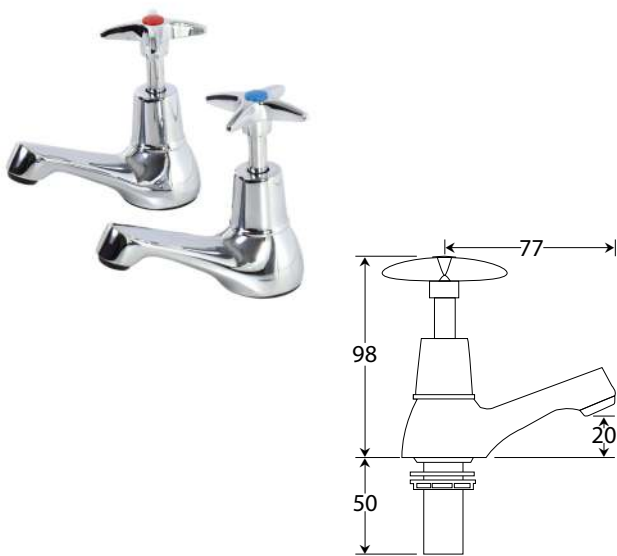

TAPS AND VALVES

	Page
Cross Head Basin Taps.....	137
Cross Head High Neck Sink Taps.....	137
Lever Basin Taps.....	137
Lever High Neck Sink Taps.....	137
6 Inch Lever Basin Taps	138
6 Inch Lever High Neck Sink Taps	138
3 Inch Lever Bib Taps	138
6 Inch Lever Bib Taps	138
Cross Head Bib Taps	139
Press Button Time Flow Bib Tap	139
Wall Plate Elbows	139
Through Wall Connector Elbows	139
Lever Mixer Tap	140
Monobloc Lever Mixer Tap	140
Bridge Lever Mixer Tap	140
Wall Mounted Bridge Lever Mixer Tap.....	140
Sequential Lever Mixer Tap	141
Press Button Time Flow Non-Concussive Tap.....	141
Press Button Time Flow Mixer Tap	141
Knee Operated Time Flow Valve	141
Toggle Lever Time Flow Tap	142
Basin Spout	142
Infrared Taps.....	142
Infrared Wall Mounted Taps 170mm Projection	142
Infrared Wall Mounted Taps 220mm Projection	143
Time Flow Pillar Tap	143
Time Flow Swan Neck Tap	143
Lever Dental Mixer Tap	143
Pre Rinse Monobloc Catering Taps	144
Pre Rinse Twin Catering Taps	145
Pre Rinse Super Short and Wall Mounted Catering Taps	146
TMV3 Mixing Valves.....	147
Bib Tap Extensions.....	147

TVS6711 CROSS HEAD BASIN TAPS



- Supplied in pairs, deck mounted design
- 1/2" tap connections, 22mm tap holes
- Cross head operation
- Easy on/off action
- In stock 1 to 2 working days

TVS6712 CROSS HEAD HIGH NECK SINK TAPS



- Supplied in pairs, deck mounted design
- 1/2" tap connections, 22mm tap holes
- Cross head operation
- Easy on/off action
- In stock 1 to 2 working days

TVS6721 BASIN TAPS WITH 3 INCH LEVERS



- Supplied in pairs, deck mounted design
- 1/2" tap connections, 22mm tap holes
- 3" lever operation
- Quarter turn on/off action
- In stock 1 to 2 working days

TVS6722 HIGH NECK SINK TAPS WITH 3 INCH LEVERS



- Supplied in pairs, deck mounted design
- 1/2" tap connections, 22mm tap holes
- 3" lever operation
- Quarter turn on/off action
- In stock 1 to 2 working days

TVS6721-6 BASIN TAPS WITH 6 INCH LEVERS



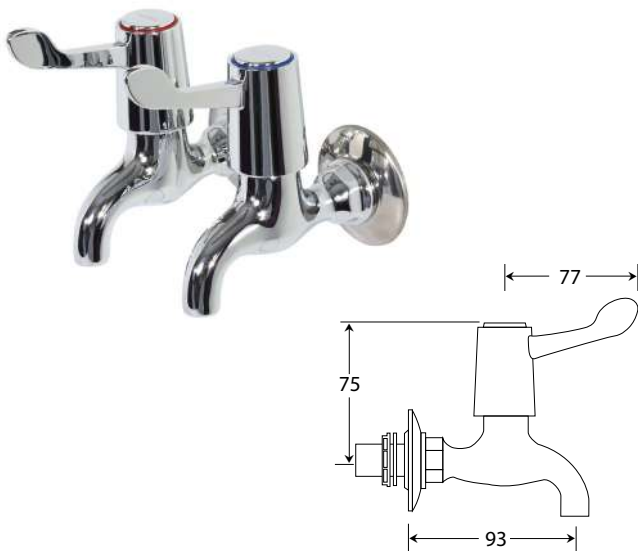
- Supplied in pairs, deck mounted design
- ½" tap connections, 22mm tap holes
- 6" lever operation
- Quarter turn on/off action
- In stock 1 to 2 working days

TVS6722-6 HIGH NECK SINK TAPS WITH 6 INCH LEVERS



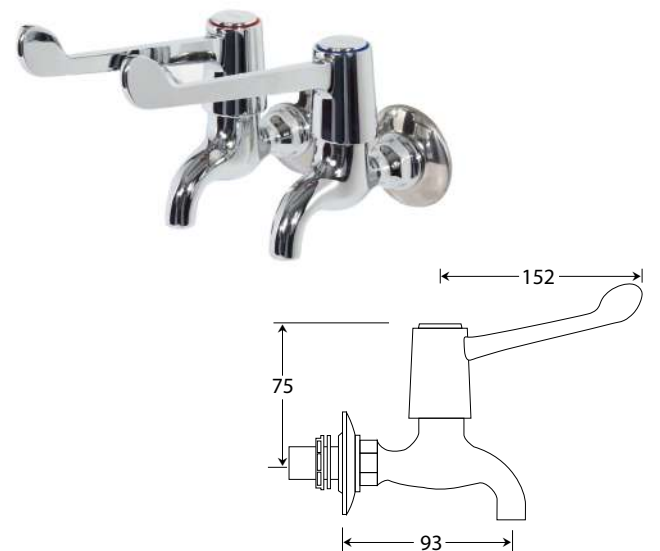
- Supplied in pairs, deck mounted design
- ½" tap connections, 22mm tap holes
- 6" lever operation
- Quarter turn on/off action
- In stock 1 to 2 working days

TVS6723 BIB TAPS WITH 3 INCH LEVERS



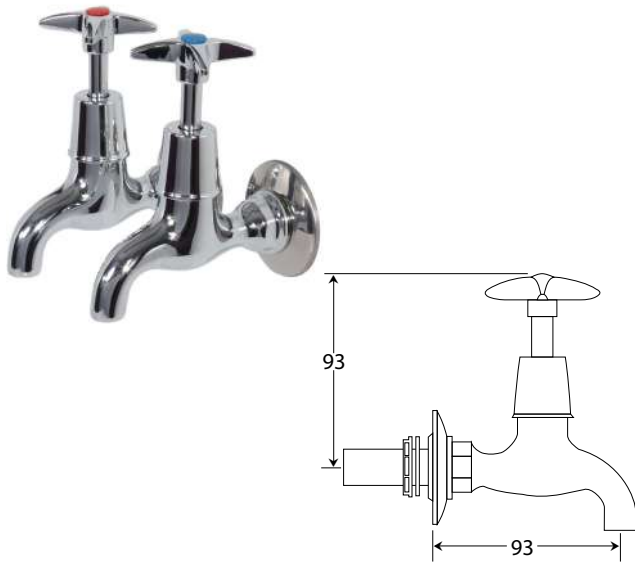
- Supplied in pairs, wall mounted design
- ½" tap connections, 22mm tap holes
- Optional wall plate elbows (for exposed supply)
- Optional 50mm or 100mm extensions
- In stock 1 to 2 working days

TVS6723-6 BIB TAPS WITH 6 INCH LEVERS



- Supplied in pairs, wall mounted design
- ½" tap connections, 22mm tap holes
- Optional wall plate elbows (for exposed supply)
- Optional 50mm or 100mm extensions
- In stock 1 to 2 working days

TVS6713 CROSS HEAD BIB TAPS



- Supplied in pairs, wall mounted design
- 1/2" tap connections, 22mm tap holes
- Optional wall plate elbows (for exposed supply)
- Optional 50mm or 100mm extensions
- In stock 1 to 2 working days

TVS7460 PRESS BUTTON TIME FLOW BIB TAP



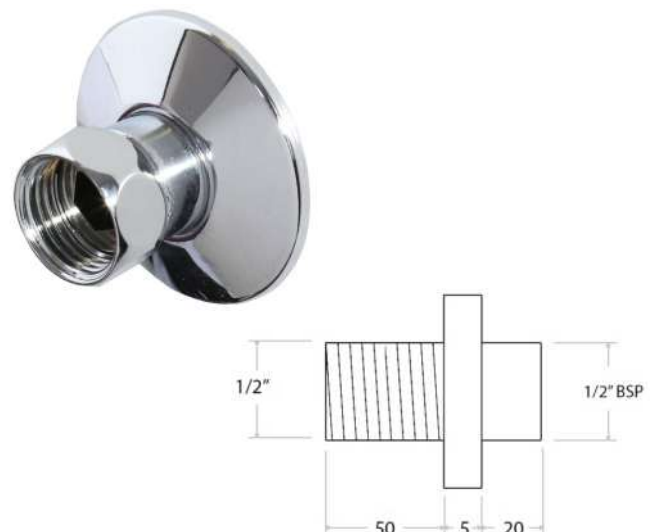
- Single tap, wall mounted design
- 1/2" tap connection, 22mm tap hole
- Time flow press button mechanism
- Water saving operation
- In stock 1 to 2 working days

TVS6713WPE WALL PLATE ELBOWS



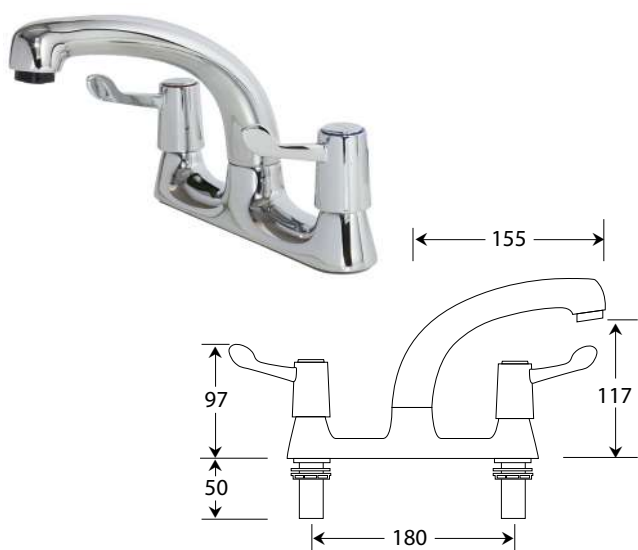
- Supplied in pairs
- 1/2" female thread
- 15mm compression water pipe connection
- Convert through wall bib taps to an exposed water supply
- In stock 1 to 2 working days

ID0061 THROUGH WALL CONNECTOR ELBOWS



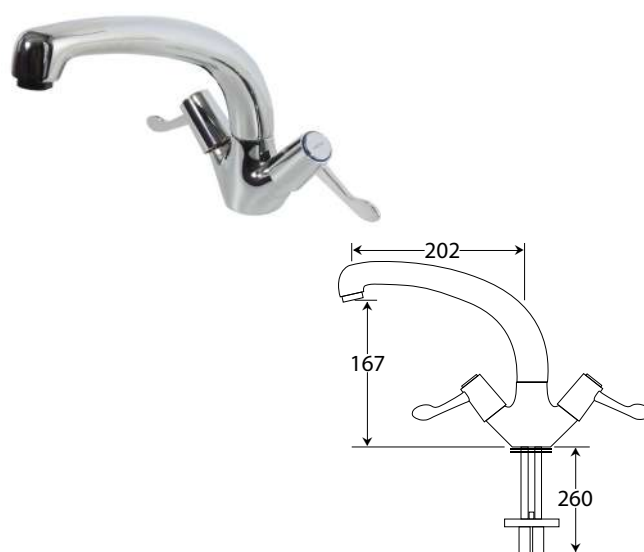
- Supplied as singles
- 1/2" female thread
- Straight connector for bib taps
- Suitable for most bib taps (not press button bib taps)
- In stock 1 to 2 working days

TVS6724 LEVER MIXER TAP



- Single tap, deck mounted design
- ½" tap connections, 22mm tap holes at 180mm centres
- 3" levers and swivel spout
- Quarter turn on/off action
- In stock 1 to 2 working days

TVS6743 MONOBLOC LEVER MIXER TAP



- Single tap, deck mounted design
- Two 15mm connections with copper tails, 35mm tap hole
- 3" levers and swivel spout
- Quarter turn on/off action
- In stock 1 to 2 working days

TVS6766 BRIDGE LEVER MIXER TAP



- Single tap, deck mounted design
- ½" tap connections, 22mm tap holes at 165 to 240mm centres
- 6" levers and swivel spout
- Quarter turn on/off action
- In stock 1 to 2 working days

TVS6767 WALL MOUNTED BRIDGE LEVER MIXER TAP



- Single tap, wall mounted design
- ½" tap connections, 22mm tap holes at 202mm centres
- 6" levers and swivel spout
- Quarter turn on/off action
- In stock 1 to 2 working days

TVS6742 SEQUENTIAL LEVER MIXER TAP



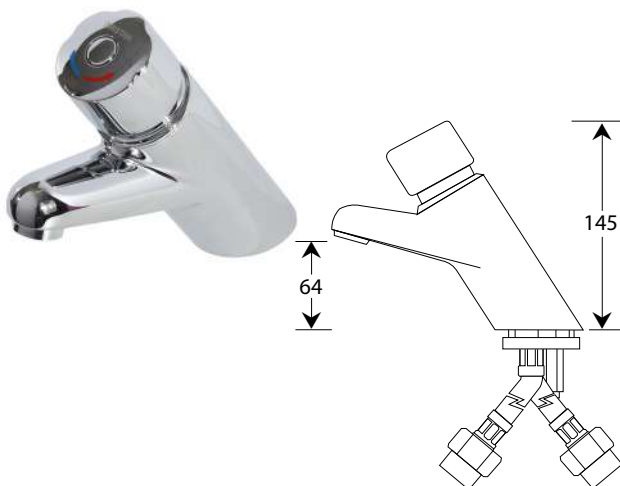
- Single tap, deck mounted design
- ½" flexible hot and cold water connections
- 35mm tap hole
- 180 degree sequential operation from cold to hot
- In stock 1 to 2 working days

TVS6922 PRESS BUTTON TIME FLOW NON-CONCUSSIVE TAP



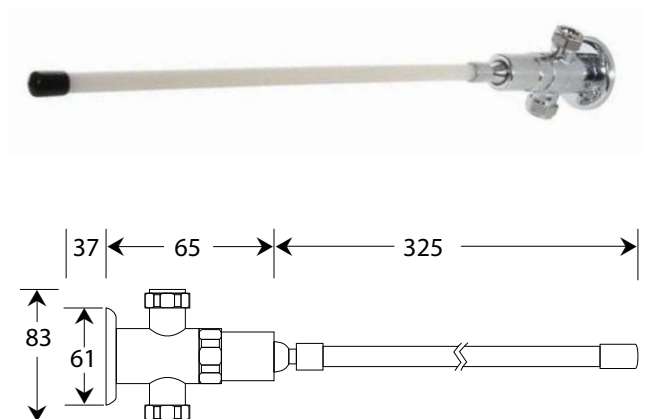
- Single tap, deck mounted design
- ½" tap connection, 22mm tap hole
- Vandal resistant button prevents jamming tap on
- Time flow operation starts as button is released
- In stock 1 to 2 working days

TVS6820 PRESS BUTTON TIME FLOW MIXER TAP



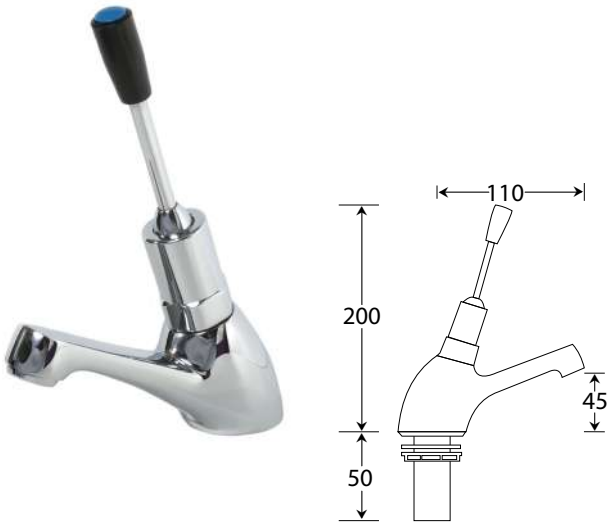
- Single tap, deck mounted design
- ½" flexible hot and cold tap connections, 35mm tap hole
- Water saving operation
- Time flow operation with turn button temperature control (not thermostatic)
- To order 3 to 4 working days

TVS6831 KNEE OPERATED TIME FLOW VALVE



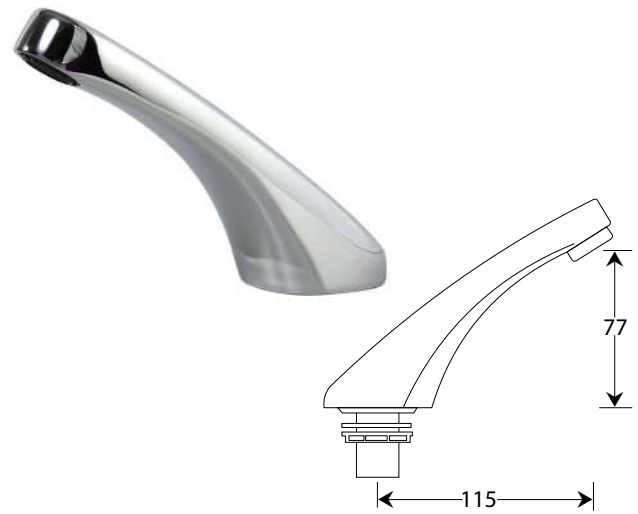
- Single valve, surface mounted
- 15mm compression water connections
- 15 second time flow operation at 1 bar
- To be used in conjunction with a wall or deck mounted spout
- In stock 1 to 2 working days

TVS6819 TOGGLE LEVER TIME FLOW TAP



- Single tap, deck mounted
- 1/2" tap connection, 22mm tap hole
- 15 second time flow operation at 1 bar
- Supplied with hot and cold indices
- To order 3 to 4 working days

TVS6912 BASIN SPOUT



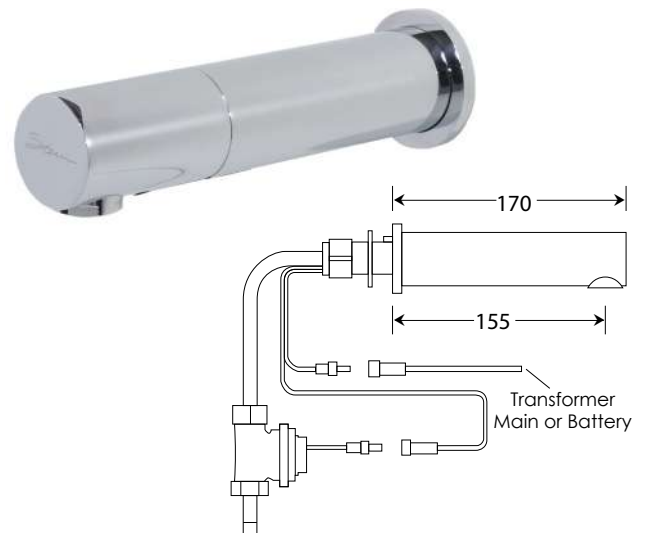
- Single spout, deck mounted
- 1/2" tap connection, 30mm tap hole
- Fixed design
- For use with TVS6831 knee operated time flow valve
- In stock 1 to 2 working days

TVS7035 INFRARED DECK MOUNTED SENSOR TAP



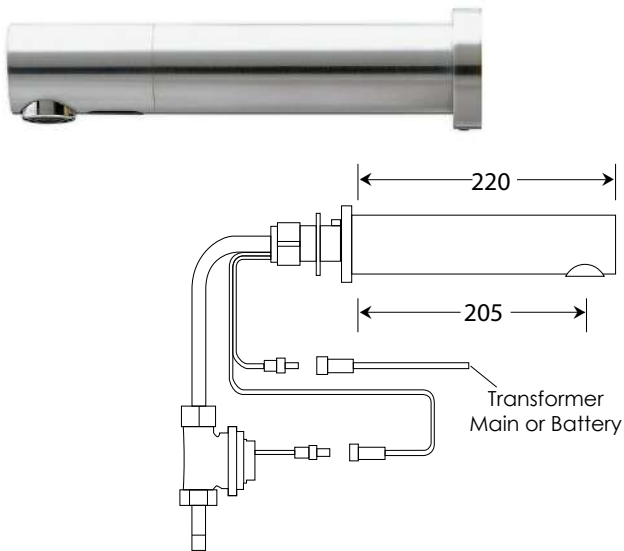
- No touch sensor operated basin tap
- 3 second shut off when hands removed
- Battery or mains power supply (to be specified)
- 30mm tap hole
- In stock 1 to 2 working days

TVS6955 INFRARED WALL MOUNTED TAP 170MM PROJECTION



- One, two or three user kits available
- Up to 3 units from one power supply
- Battery or mains power supply (to be specified)
- 30mm tap hole
- In stock 1 to 2 working days

TVS6957 INFRARED WALL MOUNTED TAP 220MM PROJECTION



- One, two or three user kits available
- Up to 3 units from one power supply
- Battery or mains power supply (to be specified)
- 30mm tap hole
- To order 3 to 4 working weeks

TVS9080SCBT SELF CLOSING PILLAR TAP



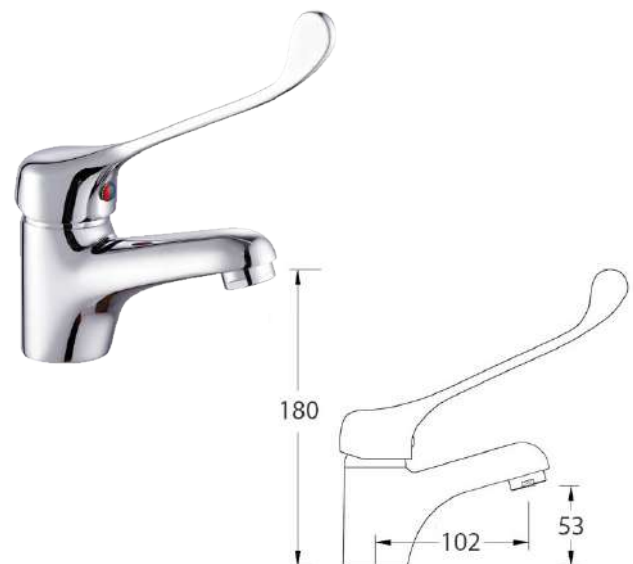
- Single tap, deck mounted
- Time flow 8 to 12 seconds
- Single 1/2" threaded connection
- 22mm tap hole
- In stock 2 to 3 working days

TVS9091SCBTFS TIME FLOW SWAN NECK TAP



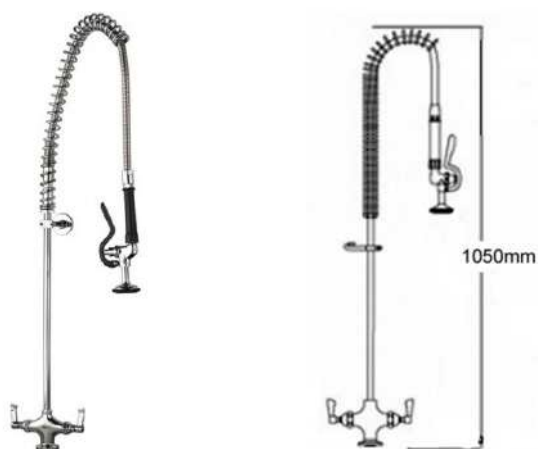
- Single tap, deck mounted
- Time flow 8 to 12 seconds
- Single 1/2" threaded connection
- 22mm tap hole
- In stock 2 to 3 working days

TVS6999 LEVER DENTAL MIXER TAP



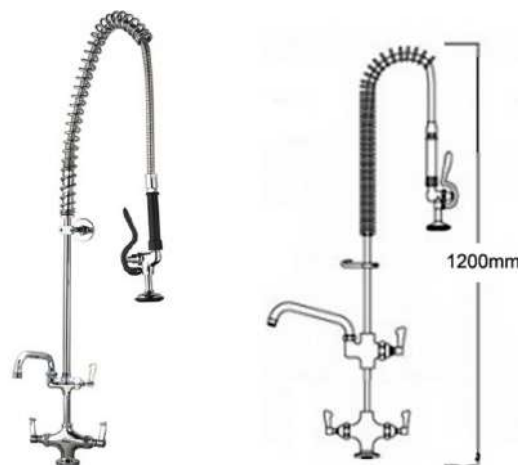
- Single tap, deck mounted
- Long lever for wrist and elbow use
- 15mm hot and cold copper tails
- 35mm tap hole
- In stock 1 to 2 working days

TVS-PRM PRE RINSE MONOBLOC CATERING TAP



- Lever operated hot and cold taps
- ½" hot and cold water connections
- 300mm long wall bracket which can be trimmed on site
- Hand held spray with heavy duty food grade hose and spring
- 30mm tap hole
- To order 2 to 3 working days

TVS-PRM-PF PRE RINSE MONOBLOC CATERING TAP WITH POT FILLER



- Lever operated hot and cold taps
- ½" hot and cold water connections
- Pot filler valve with 6", 12" or 16" pot filling spout
- Hand held spray with heavy duty food grade hose and spring
- 30mm tap hole
- To order 2 to 3 working days

TVS-SPRM SHORT PRE RINSE MONOBLOC CATERING TAP



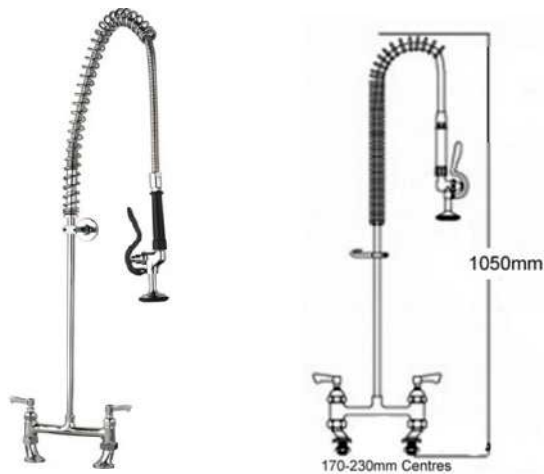
- Lever operated hot and cold taps
- ½" hot and cold water connections
- Shorter main tube
- Hand held spray with heavy duty food grade hose and spring
- 30mm tap hole
- To order 2 to 3 working days

TVS-SPRM-PF SHORT PRE RINSE MONOBLOC CATERING TAP WITH POT FILLER



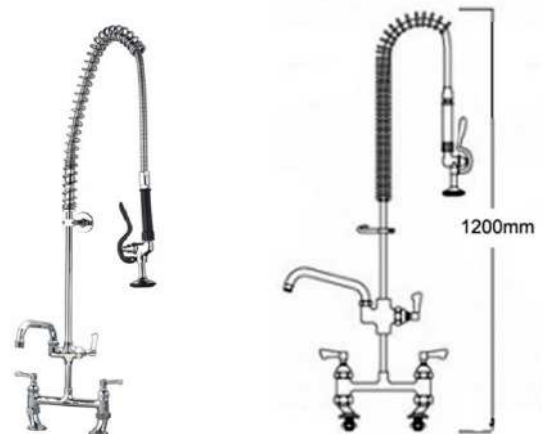
- Lever operated hot and cold taps
- ½" hot and cold water connections
- Shorter main tube, 30mm tap hole
- Pot filler valve with 6", 12" or 16" pot filling spout
- Hand held spray with heavy duty food grade hose and spring
- To order 2 to 3 working days

TVS-PRT PRE RINSE TWIN CATERING TAP



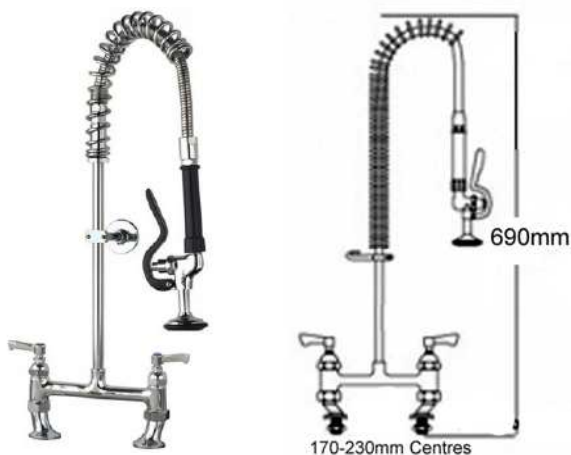
- Lever operated hot and cold taps
- ½" hot and cold water connections
- Hand held spray with heavy duty food grade hose and spring
- 300mm long wall bracket which can be trimmed on site
- Two 25mm tap holes at 170mm to 230mm centres
- To order 2 to 3 working days

TVS-PRT-PF PRE RINSE TWIN CATERING TAP WITH POT FILLER



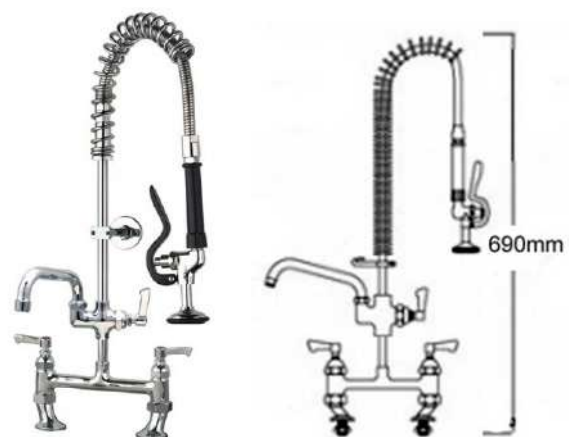
- Lever operated hot and cold taps
- ½" hot and cold water connections
- Pot filler valve with 6", 12" or 16" pot filling spout
- Hand held spray with heavy duty food grade hose and spring
- Two 25mm tap holes at 170mm to 230mm centres
- To order 2 to 3 working days

TVS-SPRT SHORT PRE RINSE TWIN CATERING TAP



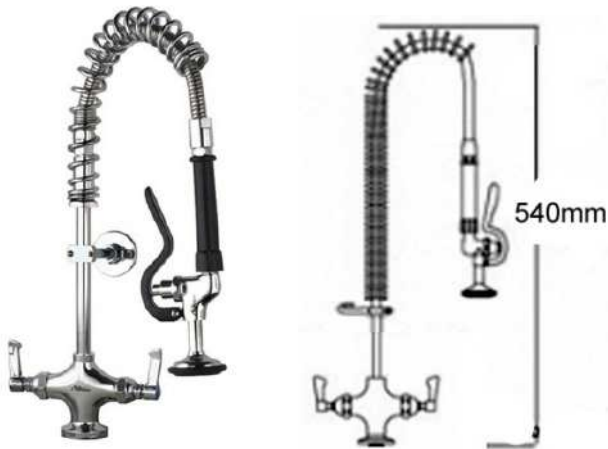
- Lever operated hot and cold taps
- ½" hot and cold water connections
- Shorter main tube
- Hand held spray with heavy duty food grade hose and spring
- Two 25mm tap holes at 170mm to 230mm centres
- To order 2 to 3 working days

TVS-SPRT-PF SHORT PRE RINSE TWIN CATERING TAP WITH POT FILLER



- Lever operated hot and cold taps
- ½" hot and cold water connections
- Shorter main tube, two 22mm tap holes at 170mm to 230mm centres
- Hand held spray with heavy duty food grade hose and spring
- Pot filler valve with 6", 12" or 16" pot filling spout
- To order 2 to 3 working days

TVS-SSPRM SUPER SHORT PRE RINSE MONOBLOC CATERING TAP



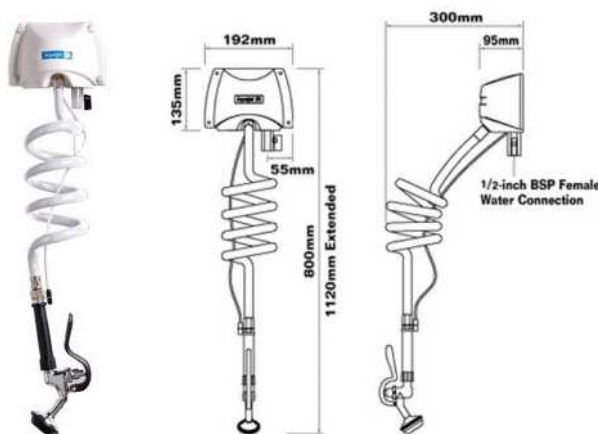
- Lever operated hot and cold taps
- ½" hot and cold water connections
- Shortest possible main tube
- Hand held spray with heavy duty food grade hose and spring
- 30mm tap hole
- To order 2 to 3 working days

TVS-SSPRT SUPER SHORT PRE RINSE TWIN CATERING TAP



- Lever operated hot and cold taps
- ½" hot and cold water connections
- Shortest possible main tube
- Hand held spray with heavy duty food grade hose and spring
- Two 22mm tap holes at 170mm to 230mm centres
- To order 2 to 3 working days

TVS-PRWM WALL MOUNTED PRE RINSE MONOBLOC CATERING TAP



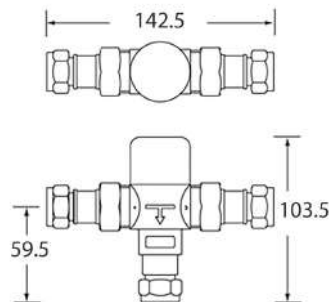
- ½" single water connection
- Hand held spray with heavy duty food grade hose and spring
- Easy clean cover
- Restraining cord to prevent overstretching hose
- Wall hook for hanging spray head
- To order 2 to 3 working days

TVS-SPRAYGUN REPLACEMENT PRE RINSE SPRAY GUN



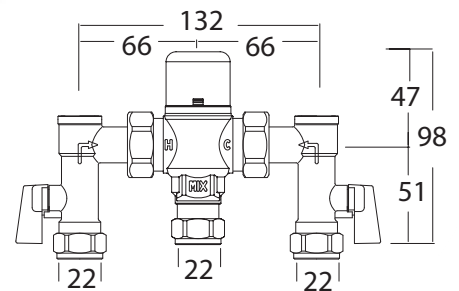
- Replacement spray gun and handle
- Hand held trigger operated spray gun
- Both ½" BSP and American threaded handles supplied
- Factory pressure tested
- Should fit most pre rinse units
- To order 2 to 3 working days

TVS7001TMV3-15 15MM TMV3 MIXING VALVE



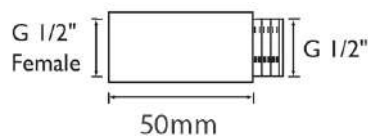
- Automatic shut off in the event of hot or cold water supply failure
- Recommended one per tap to prevent accidental scalding
- In stock 1 to 2 working days

WF-TMV3-D08 22MM TMV3 MIXING VALVE



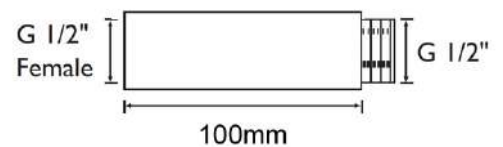
- Automatic shut off in the event of hot or cold water supply failure
- Recommended one per wash fountain to prevent accidental scalding
- In stock 1 to 2 working days

CP50WX 50MM BIB TAP EXTENSIONS



- Supplied in pairs
- Suitable for most bib taps (not press button bib taps)
- In stock 1 to 2 working days

CP100WX 100MM BIB TAP EXTENSIONS



- Supplied in pairs
- Suitable for most bib taps (not press button bib taps)
- In stock 1 to 2 working days