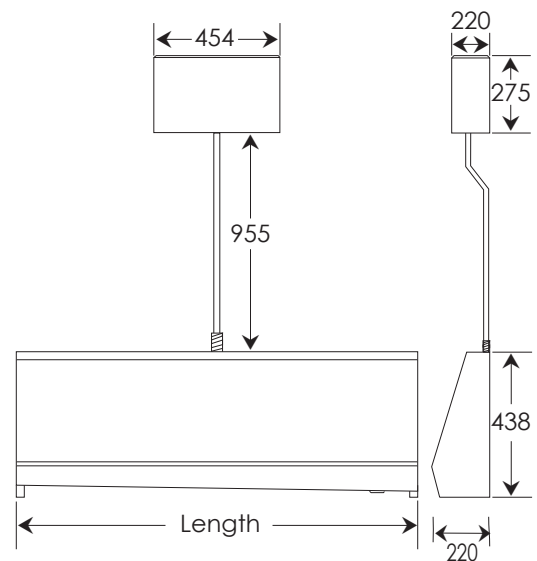

STAINLESS STEEL URINALS

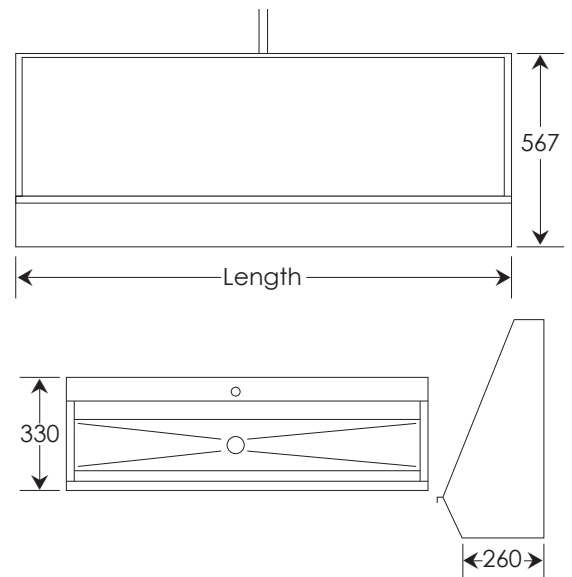
	Page
Wall Hung Trough Urinal.....	5
Heavy Duty Wall Hung Trough Urinal.....	6
Floor Recessed Slab Urinal	7
Floor Standing Slab Urinal.....	8
Floor Standing Trough Urinal	8
Coloured Urinal.....	9
Marnic Water Watch.....	9
Urinal Accessories	10

UR060 WALL HUNG TROUGH URINAL



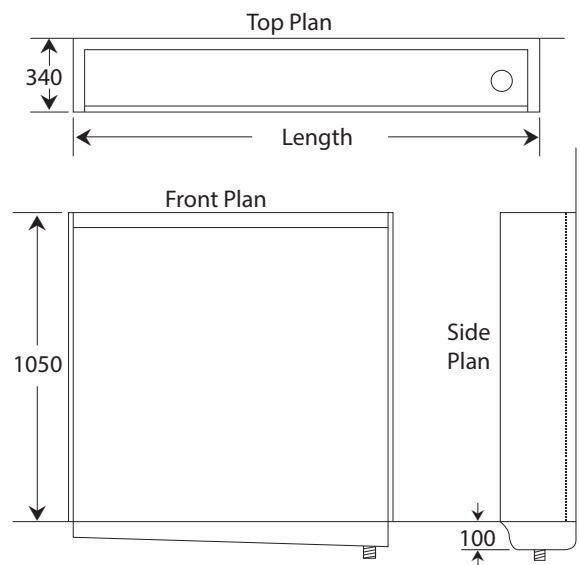
- 6 standard lengths in stock: 900mm | 1200mm | 1500mm | 1800mm | 2100mm | 2400mm
- Left or right hand 38mm dome grated waste fitting
- Grade 304 stainless steel, 1.2mm thick
- Top entry flush pipe connection for exposed cistern
- Complete with stainless steel exposed automatic cistern and flush pipe
- Lengths up to 3300mm available manufactured to order
- Centre waste outlet manufactured to order
- Back entry flush pipe connection for concealed cistern manufactured to order
- Optional down pipe cover, trap cover, trap and water saving flush controller
- Stock urinals 1 to 2 working days | Manufactured to order urinals 10 to 15 working days

UR064 HEAVY DUTY WALL HUNG TROUGH URINAL



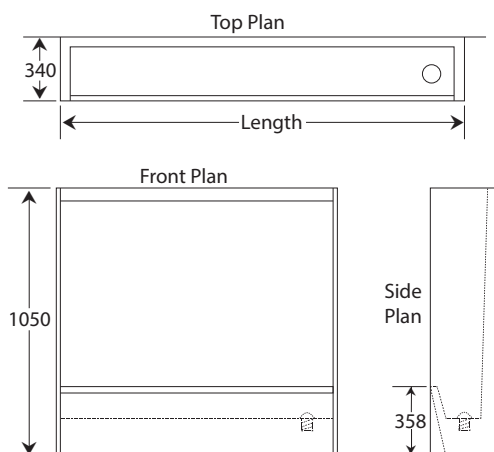
- 5 standard lengths in stock: 1200mm | 1500mm | 1800mm | 2100mm | 2400mm
- Centre 50mm dome grated waste fitting
- Grade 304 stainless steel, 1.6mm thick
- Heavy duty vandal resistant 1.6mm thick construction
- Top entry flush pipe connection for exposed cistern
- Complete with plastic exposed automatic cistern and flush pipe
- Optional stainless steel automatic cistern
- Optional plastic 2" P trap
- Optional Marnic Water Watch flush controller
- In stock 1 to 2 working days

UR066 FLOOR RECESSED SLAB URINAL



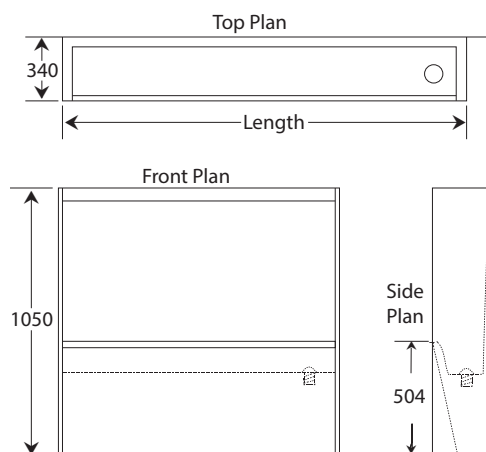
- Manufactured to order up to 3300mm long
- Left or right hand 38mm dome grated waste fitting
- Grade 304 stainless steel, 1.2mm thick
- Top entry flush pipe connection for exposed cistern
- Complete with stainless steel exposed automatic cistern and flush pipe
- Lengths up to 3300mm available in one piece
- Centre waste outlet manufactured to order
- Back entry flush pipe connection for concealed cistern manufactured to order
- Optional down pipe cover, trap and water saving flush controller
- Manufactured to order 10 to 15 working days

UR067 FLOOR STANDING SLAB URINAL



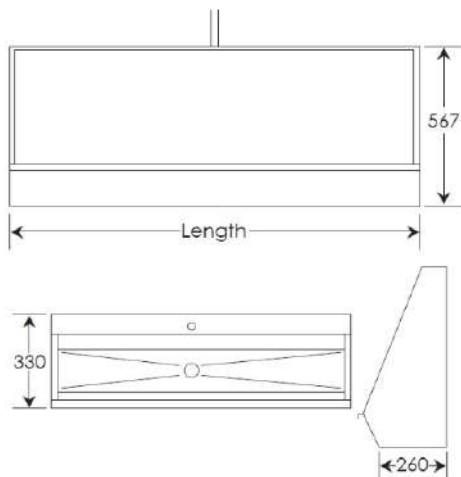
- Manufactured to order up to 3300mm long
- Left or right hand 38mm dome grated waste fitting
- Grade 304 stainless steel, 1.2mm thick
- Top entry flush pipe connection for exposed cistern
- Complete with stainless steel automatic cistern and flush pipe
- Channel raised above floor level with removable access panel
- Optional back entry flush pipe connection for concealed cistern
- Optional Marnic Water Watch flush controller
- Optional stainless steel down pipe cover
- Manufactured to order 10 to 15 working days

UR068 FLOOR STANDING TROUGH URINAL



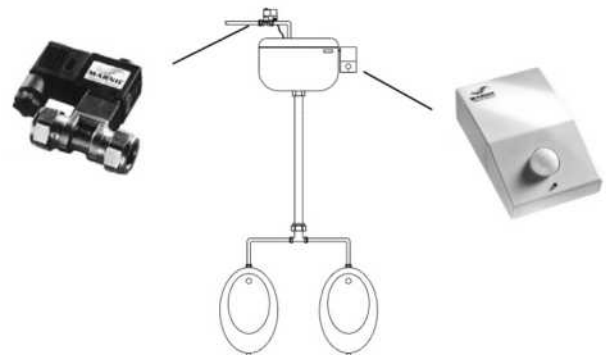
- Manufactured to order up to 3300mm long
- Left or right hand 38mm dome grated waste fitting
- Grade 304 stainless steel, 1.2mm thick
- Top entry flush pipe connection for exposed cistern
- Complete with stainless steel automatic cistern and flush pipe
- Channel at high level with removable access panel
- Optional back entry flush pipe connection for concealed cistern
- Optional Marnic Water Watch flush controller
- Optional stainless steel down pipe cover
- Manufactured to order 10 to 15 working days

C-UR064 COLOURED TROUGH URINAL



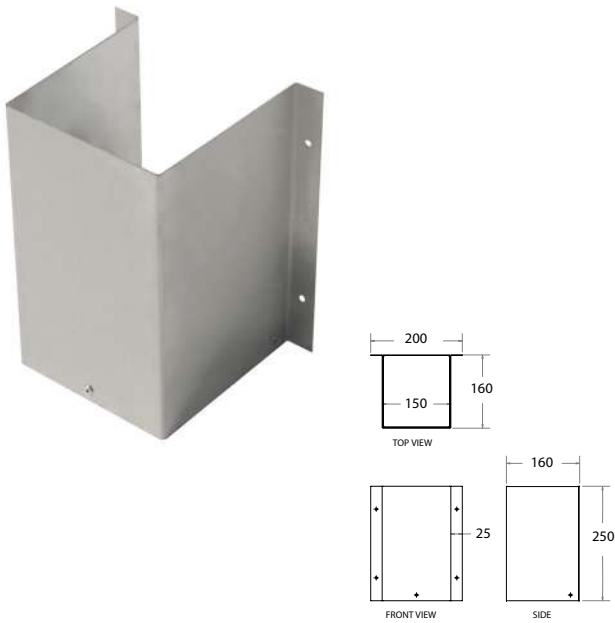
- 5 standard lengths: 1200mm | 1500mm | 1800mm | 2100mm | 2400mm
- Standard colours (Matt finish) - White (RAL 9016), Black (RAL 9005), Red (RAL 3020) and Blue (RAL 5002)
- Centre 50mm dome grated waste fitting
- Grade 304 stainless steel, 1.6mm thick
- Top entry flush pipe connection for exposed cistern
- Complete with plastic automatic cistern and flush pipe
- Optional stainless steel automatic cistern
- Optional plastic 2" P trap
- Optional Marnic Water Watch flush controller
- Manufactured to order 15 to 20 working days

MWB MARNIC WATER WATCH FLUSH CONTROLLER



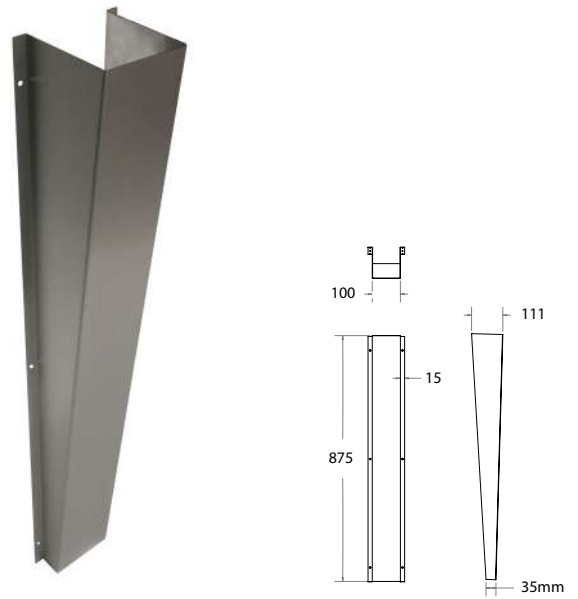
- Infrared operation
- Up to 90% saving in water usage
- Unit registers users and fills cistern to flush urinal 20 minutes after each use
- Maximum 3 flushes per hour in busy times
- Can be set to flush once every 12 or 24 hours in times of no use
- Wide angle PIR sensor
- Mains or battery supply
- Complete with control box and solenoid valve
- Can be fitted to the supply pipework for all automatic cisterns
- In stock 1 to 2 working days

UR060-TC TRAP COVER



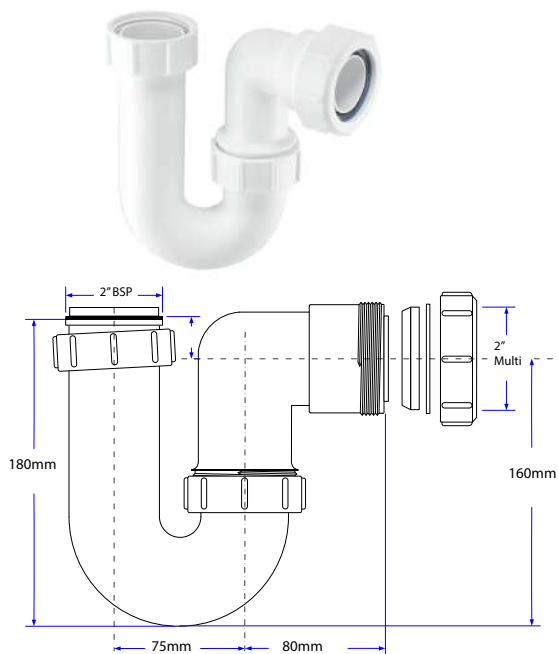
- Stainless steel urinal trap cover
- Suitable for UR060 urinals
- In stock 1 to 2 working days

UR060-DPC DOWN PIPE COVER



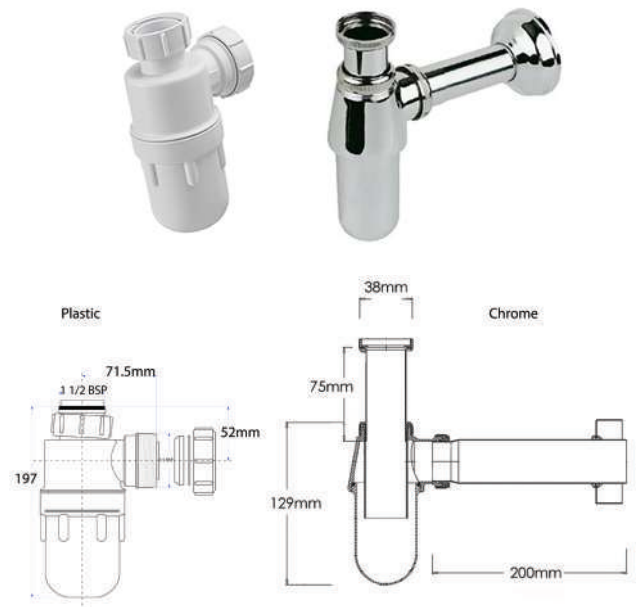
- Stainless steel urinal down pipe cover
- Suitable for UR060, UR066, UR067 and UR068 urinals
- In stock 1 to 2 working days

2INBSP-PTRAP PLASTIC 50MM (2") P TRAP



- McAlpine plastic 2" P trap
- Suitable for UR064 urinals
- In stock 1 to 2 working days

PLASTIC OR CHROME PLATED 38MM (1 1/2") BOTTLE TRAP

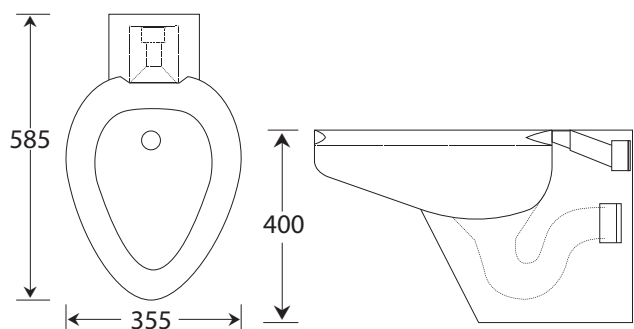


- 38mm bottle trap
- Suitable for UR060 urinals
- In stock 1 to 2 working days

STAINLESS STEEL TOILETS

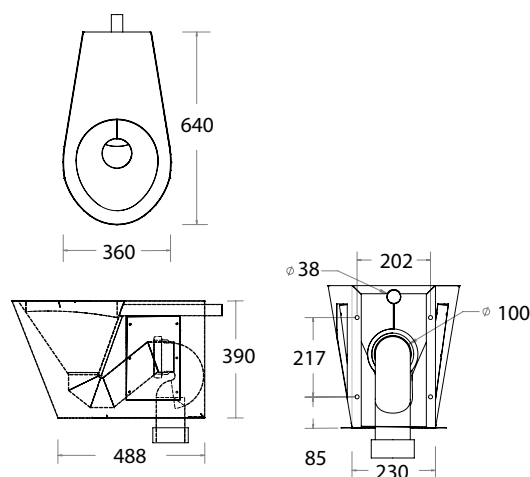
	Page
Back To Wall P Trap Toilet	12
Back To Wall S Trap Toilet	12
Back To Wall P Trap Toilet	13
Close Coupled WC Suite	13
Bariatric Toilet	14
Back To Wall Disabled Toilet.....	14
Wall Hung Toilet.....	15
Squatting Toilet	15
Toilet Cubicles.....	16
Toilet Cubicles.....	17
Toilet Accessories	18

WC102 BACK TO WALL P TRAP TOILET
(WITH BUILT IN SEAT)



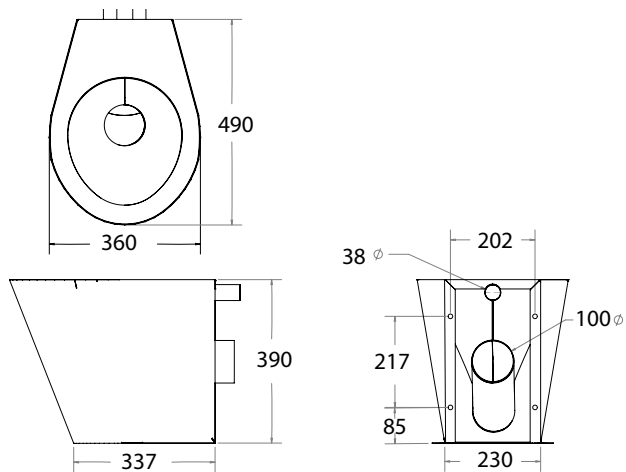
- Grade 304 stainless steel, 1.9mm thick
- Back to wall design for use with a concealed cistern
- Horizontal 100mm diameter outlet
- 55mm diameter inlet
- Effective 3 litre flushing
- Contoured rim for use without a seat
- Complete with inlet connector, concealed floor fixing plate and wall fixing bolts
- Optional white plastic seat and cover
- Optional lever, press button or infrared concealed cistern
- In stock 1 to 2 working days

WC1004 BACK TO WALL S TRAP TOILET



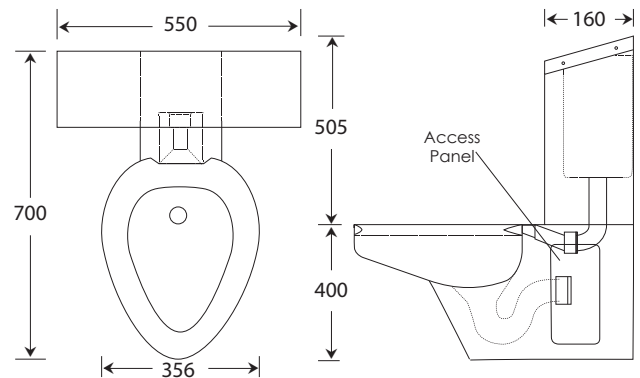
- Grade 304 stainless steel, 1.2mm and 1.6mm thick
- Back to wall design for use with a concealed cistern
- Vertical 100mm diameter outlet with plastic connector
- Side access panels to connect the trap
- 38mm diameter inlet
- Security flushing rim
- Complete with wall fixing bolts and exposed floor fixing lugs
- Optional black plastic seat and cover, or fixed seat pads
- Optional lever, press button or infrared concealed cistern
- Manufactured to order 10 to 15 working days

WC1003 BACK TO WALL P TRAP TOILET



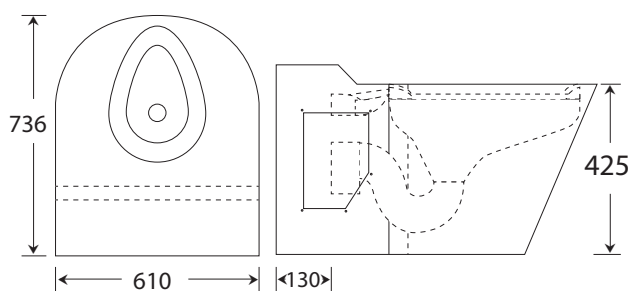
- Grade 304 stainless steel, 1.2mm and 1.6mm thick
- Back to wall design for use with a concealed cistern
- Horizontal 100mm diameter outlet
- 38mm diameter inlet
- Security flushing rim
- Complete with wall fixing bolts and exposed floor fixing lugs
- Optional black plastic seat and cover
- Optional fixed seat pads
- Optional lever, press button or infrared concealed cistern
- In stock 1 to 2 working days

WC091 CLOSE COUPLED WC SUITE



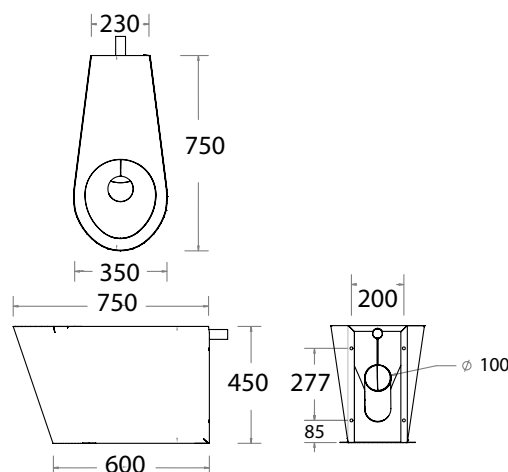
- Grade 304 stainless steel, 1.9mm and 1.6mm thick
- Back to wall toilet with stainless steel cistern enclosure
- Push button operation giving effective 3 litre flushing
- Horizontal 100mm diameter outlet
- Side access panels to fix the toilet and connect the trap
- Contoured rim for use without a seat
- Complete with flush pipe inlet connector and a concealed floor fixing plate
- Optional white plastic seat and cover
- Optional plastic WC connector to convert to a vertical outlet
- In stock 1 to 2 working days

WC122 BARIATRIC TOILET



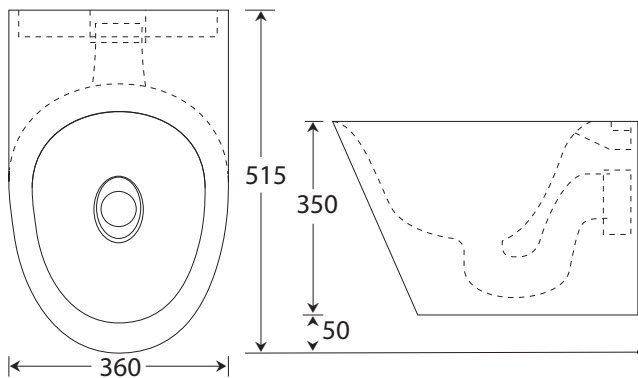
- Grade 304 stainless steel, 2mm thick, white powder coated
- Load tested to 1000 kgs with a wide footprint for rigidity
- Horizontal 100mm diameter outlet
- Back entry flush pipe connection for use with a concealed cistern
- Side access panels to fix the toilet and connect the trap
- Contoured rim for use without a seat or optional Big John toilet seat tested to 500 kgs
- Optional top entry flush pipe connection for use with an exposed cistern
- Optional plastic WC connector to convert to a vertical outlet
- Optional concealed or exposed lever cistern
- In stock 2 to 3 working days

WC1006 BACK TO WALL DISABLED TOILET



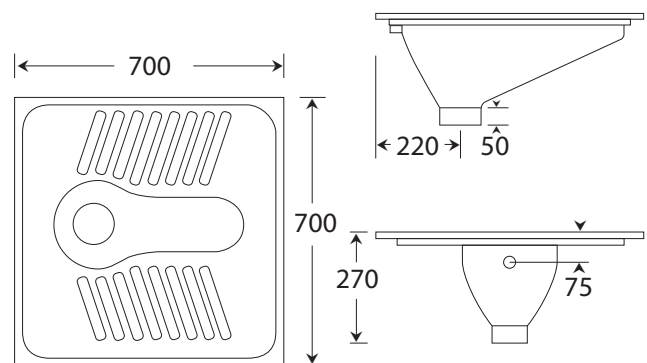
- Grade 304 stainless steel, 1.2mm and 1.6mm thick
- Back to wall design for use with a concealed cistern
- Horizontal 100mm diameter outlet, 38mm diameter inlet
- Side access panel for ease of installation
- Increased height to 450mm and length to 750mm for wheelchair use
- Complete with wall fixing bolts and exposed floor fixing lugs
- Optional fixed seat pads or black plastic seat and cover
- Optional lever, press button or infrared concealed cistern
- Optional top entry connection for exposed stainless steel lever cistern
- Manufactured to order 10 to 15 working days

WC106 WALL HUNG TOILET



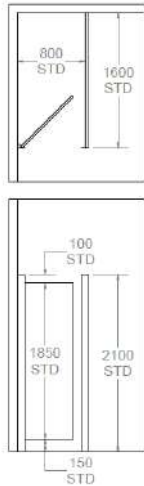
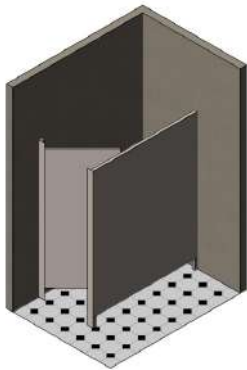
- Grade 304 stainless steel, 1.6mm thick
- Wall hung design for use with a concealed cistern
- Horizontal 100mm diameter outlet
- 55mm diameter inlet
- Drilled for seat and cover and supplied as standard with blanking caps
- Compatible with most standard in wall cistern frames
- Complete with inlet connector and wall fixing bolts
- Optional black plastic seat and cover
- Optional lever, press button or infrared concealed cistern
- In stock 1 to 2 working days

WC112 SQUATTING TOILET



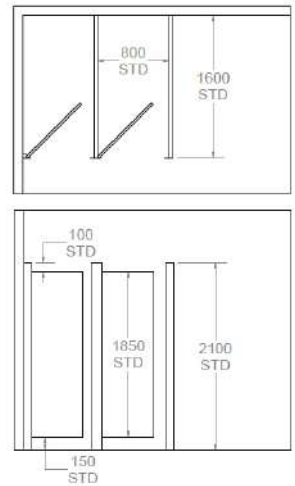
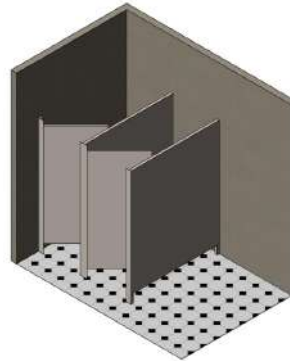
- Grade 304 stainless steel, 0.9mm thick
- Floor recessed design for use with a concealed cistern
- Can also be mounted into a raised floor plinth
- Vertical 110mm diameter straight spigot outlet
- Complete with 38mm diameter back entry inlet connection
- Optional plastic P or S trap
- Optional high level lever plastic concealed cistern
- Optional Shattaf bidet spray
- In stock 1 to 2 working days

WC-161A SINGLE TOILET CUBICLE IN CORNER



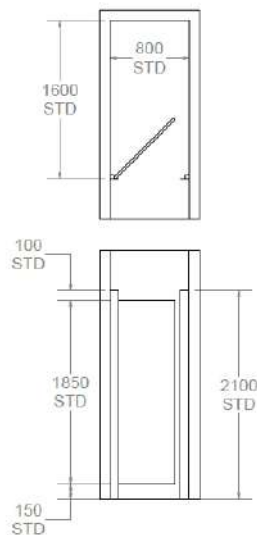
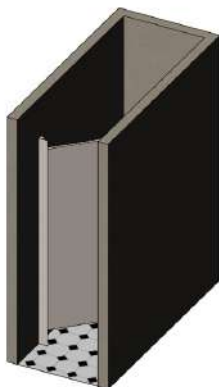
- Grade 304 stainless steel, 1.2mm thick
- Single cubicle
- Standard or special order size
- Left or right hand corner available
- Stainless steel hinges
- Door lock and hasp
- Flat pack for site assembly
- Manufactured to order 10 to 15 working days

WC-161B RANGE OF TOILET CUBICLES IN CORNER



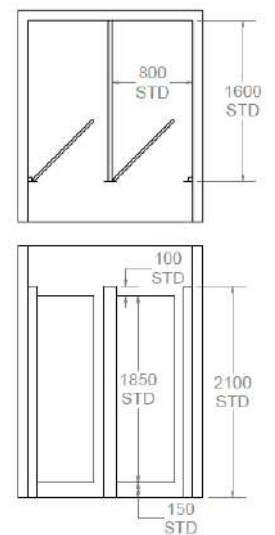
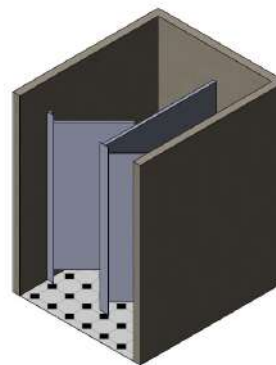
- Grade 304 stainless steel, 1.2mm thick
- Range of multiple cubicles
- Standard or special order size
- Left or right hand corner available
- Stainless steel hinges
- Door locks and hasps
- Flat pack for site assembly
- Manufactured to order 10 to 15 working day

WC-161C IN WALL TOILET CUBICLE - SINGLE



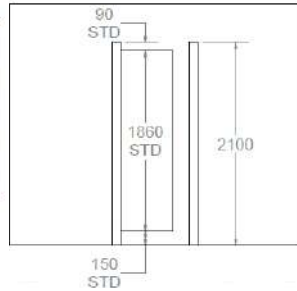
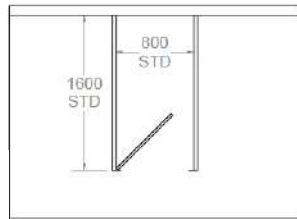
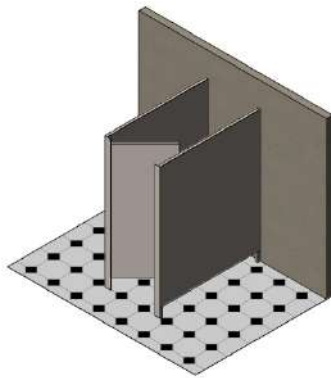
- Grade 304 stainless steel, 1.2mm thick
- Single toilet cubicle between walls
- Standard or special order size
- Stainless steel hinges
- Door locks and hasps
- Flat pack for site assembly
- Manufactured to order 10 to 15 working day

WC-161D RANGE OF TOILET CUBICLES BETWEEN WALLS



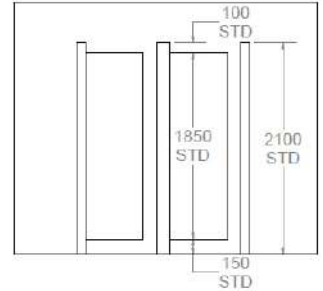
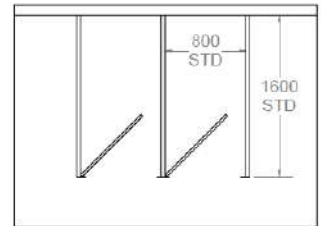
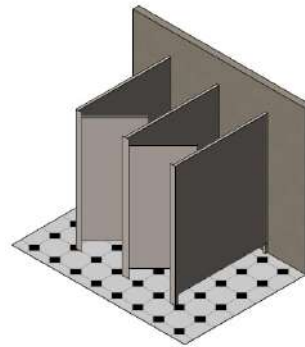
- Grade 304 stainless steel, 1.2mm thick
- Range of multiple cubicles between walls
- Standard or special order size
- Stainless steel hinges
- Door locks and hasps
- Flat pack for site assembly
- Manufactured to order 10 to 15 working days

WC-161E ISLAND TOILET CUBICLE - SINGLE



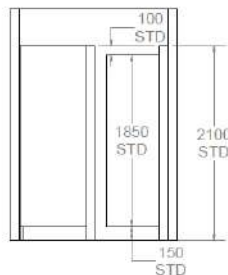
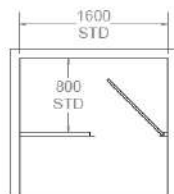
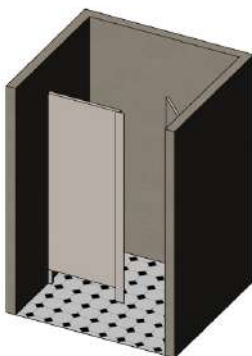
- Grade 304 stainless steel, 1.2mm thick
- Single island toilet cubicle (no end walls)
- Standard or special order size
- Stainless steel hinges
- Door locks and hasps
- Flat pack for site assembly
- Manufactured to order 10 to 15 working days

WC-161F ISLAND TOILET CUBICLE - MULTIPLE



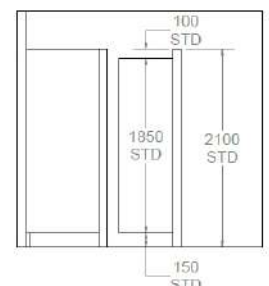
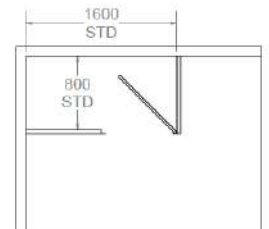
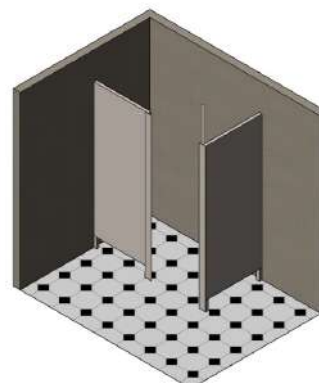
- Grade 304 stainless steel, 1.2mm thick
- Multiple island toilet cubicles (no end walls)
- Standard or special order size
- Stainless steel hinges
- Door locks and hasps
- Flat pack for site assembly
- Manufactured to order 10 to 15 working days

WC-161G IN-WALL ANGLED TOILET CUBICLE



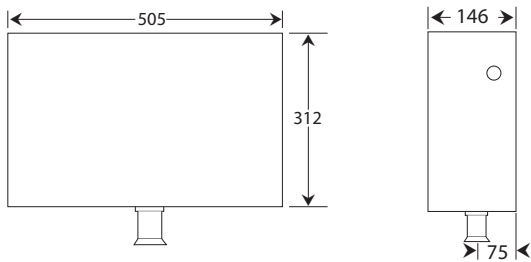
- Grade 304 stainless steel, 1.2mm thick
- In wall angled toilet cubicle
- Standard or special order size
- Left or right hand door
- Stainless steel hinges
- Door lock and hasp
- Flat pack for site assembly
- Manufactured to order 10 to 15 working days

WC-161H INLINE TOILET CUBICLE



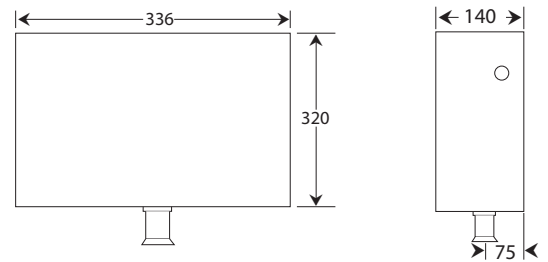
- Grade 304 stainless steel, 1.2mm thick
- Inline toilet cubicle
- Left or right hand layout
- Stainless steel hinges
- Door lock and hasp
- Flat pack for site assembly
- Manufactured to order 10 to 15 working days

WC142-LL-WL PLASTIC CONCEALED CISTERN WITH LEVER



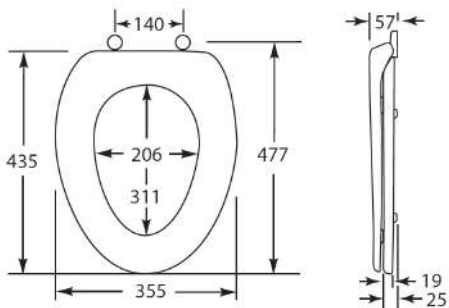
- Black plastic concealed cistern
- Chrome plated through wall lever for up to 210mm thick walls
- Plastic 90 degree flush pipe
- In stock 1 to 2 working days

WC142-LL-AIR-50 PLASTIC CONCEALED CISTERN WITH PUSH BUTTON



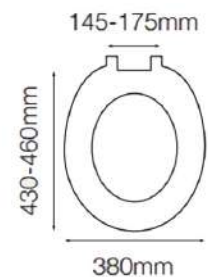
- Black plastic concealed cistern
- Single push button operation
- Plastic 90 degree flush pipe
- In stock 1 to 2 working days

WCPSC-TF-WH WHITE PLASTIC SEAT AND COVER



- White plastic toilet seat and cover
- Elliptical design to suit WC102 and WC091 toilets only
- Fixings included
- In stock 1 to 2 working days

WCPSC-EURO-BK BLACK PLASTIC SEAT AND COVER



- Black plastic toilet seat and cover
- Standard design to suit WC1003, WC1004, WC106 and WC1006 toilets only
- Fixings included
- In stock 1 to 2 working days